



## PCJ55-XL

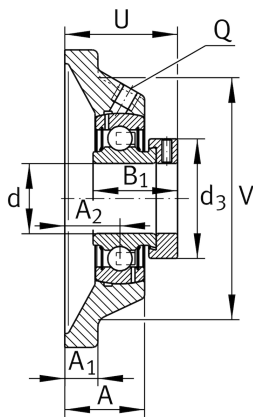
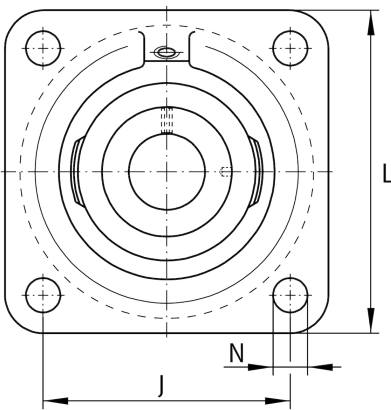
### Flanged housing unit

Schaeffler ID:  
0009756640000

Housing units PCJ, four-bolt flanged housing units, cast iron, eccentric locking collar, P seals

X-life

## Technical information



### Main Dimensions & Performance Data

|          |          |                                   |
|----------|----------|-----------------------------------|
| d        | 55 mm    | Bore diameter                     |
| L        | 162 mm   | Flange width                      |
| U        | 67,4 mm  | Total height unit                 |
| $C_r$    | 46.000 N | Basic dynamic load rating, radial |
| $C_{0r}$ | 29.000 N | Basic static load rating, radial  |
| $C_{ur}$ | 1.520 N  | Fatigue load limit, radial        |
|          | 3,17 kg  | Weight                            |

### Dimensions

|       |                 |   |
|-------|-----------------|---|
| A     | 43,5 mm         | Height housing                            |
|       | 1               | Number of housings                        |
| $A_1$ | 15 mm           | Thickness of flange                       |
| $A_2$ | 31 mm           | Distance raceway                          |
|       | CJ11            | Housing                                   |
|       | GRAE55-XL-NPP-B | Bearing designation                       |
| V     | 140 mm          | Shoulder diameter housing                 |
| Q     | Rp1/8           | Connection thread lubrication             |
| $d_3$ | 76 mm           | Outside diameter eccentric locking collar |

### Mounting dimensions

|   |        |                          |
|---|--------|--------------------------|
| J | 130 mm | Distance fixing bore     |
| N | 18 mm  | Fixing bore              |
| n | 4      | Number of screwing holes |