



PCJ20-XL-N-FA125

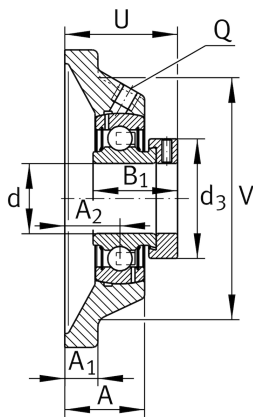
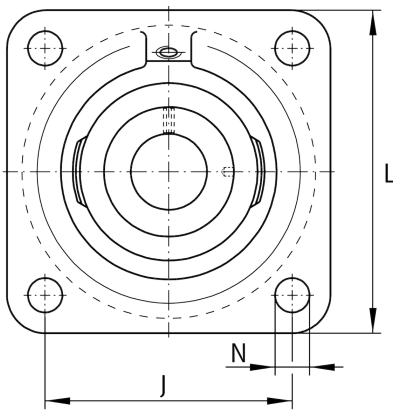
Flanged housing unit

Schaeffler ID:
0096265730000

Housing units PCJ...-FA125, four-bolt flanged housing units, cast iron, eccentric locking collar, P seals, with anti-corrosion protection

X-life

Technical information



Main Dimensions & Performance Data

| | | |
|----------|----------|-----------------------------------|
| d | 20 mm | Bore diameter |
| L | 86 mm | Flange width |
| U | 42,5 mm | Total height unit |
| C_r | 13.600 N | Basic dynamic load rating, radial |
| C_{0r} | 6.600 N | Basic static load rating, radial |
| C_{ur} | 345 N | Fatigue load limit, radial |
| | 0,61 kg | Weight |

Dimensions

| | | |
|-------|------------------|---|
| A | 29 mm | Height housing |
| | 1 | Number of housings |
| A_1 | 10 mm | Thickness of flange |
| A_2 | 19 mm | Distance raceway |
| | CJ04 | Housing |
| | GRAE20-XL-NPP-B- | Bearing designation |
| | FA125 | |
| | KASK04 | Protecting cap |
| V | 68 mm | Shoulder diameter housing |
| Q | M6 | Connection thread lubrication |
| d_3 | 33 mm | Outside diameter eccentric locking collar |

Mounting dimensions

| | | |
|---|---------|--------------------------|
| J | 63,5 mm | Distance fixing bore |
| N | 11.5 mm | Fixing bore |
| n | 4 | Number of screwing holes |