



IMAGE
COMING SOON



PCJ30-XL-N-FA125

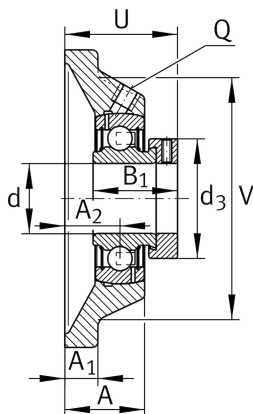
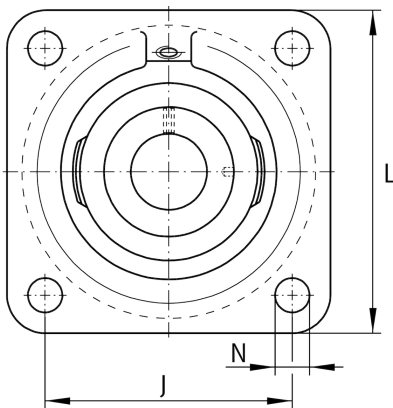
Flanged housing unit

Schaeffler ID:
0096272600000

Housing units PCJ...-FA125, four-bolt flanged housing units, cast iron, eccentric locking collar, P seals, with anti-corrosion protection

X-life

Technical information



Main Dimensions & Performance Data

d	30 mm	Bore diameter
L	108 mm	Flange width
U	46,8 mm	Total height unit
C_r	20.700 N	Basic dynamic load rating, radial
C_{0r}	11.300 N	Basic static load rating, radial
C_{ur}	480 N	Fatigue load limit, radial
	1,09 kg	Weight

Dimensions

A	29 mm	Height housing
	1	Number of housings
A_1	12 mm	Thickness of flange
A_2	20 mm	Distance raceway
	CJ06	Housing
	GRAE30-XL-NPP-B-	Bearing designation
	FA125	
	KASK06	Protecting cap
V	85 mm	Shoulder diameter housing
Q	Rp1/8	Connection thread lubrication
d_3	44 mm	Outside diameter eccentric locking collar

Mounting dimensions

J	82,5 mm	Distance fixing bore
N	11,5 mm	Fixing bore
n	4	Number of screwing holes