



PCJ40-XL-N-FA125

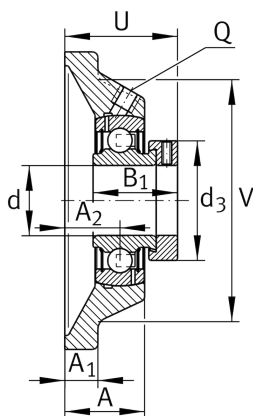
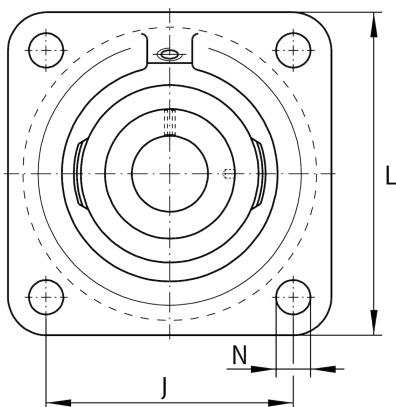
Flanged housing unit

Schaeffler ID:
0096273400000

Housing units PCJ...-FA125, four-bolt flanged housing units, cast iron, eccentric locking collar, P seals, with anti-corrosion protection

X-life

Technical information



Main Dimensions & Performance Data

d	40 mm	Bore diameter
L	130 mm	Flange width
U	56,8 mm	Total height unit
C_r	34.500 N	Basic dynamic load rating, radial
C_{0r}	19.800 N	Basic static load rating, radial
C_{ur}	1.030 N	Fatigue load limit, radial
	1,87 kg	Weight

Dimensions

A	36,5 mm	Height housing
	1	Number of housings
A_1	13 mm	Thickness of flange
A_2	24 mm	Distance raceway
	CJ08	Housing
	GRAE40-XL-NPP-B-	Bearing designation
	FA125	
	KASK08	Protecting cap
V	110 mm	Shoulder diameter housing
Q	M6	Connection thread lubrication
d_3	58 mm	Outside diameter eccentric locking collar

Mounting dimensions

J	101,5 mm	Distance fixing bore
N	14 mm	Fixing bore
n	4	Number of screwing holes