



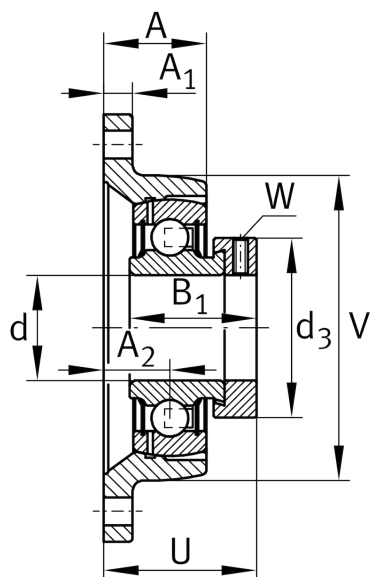
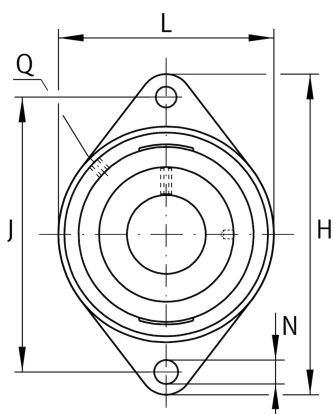
PCJT20-TV-FA125.5

Flanged housing unit

Schaeffler ID:
0573386040000

Flanged housing unit PCJT..-TV

Technical information



Main Dimensions & Performance Data

d	20 mm	Bore diameter
L	63,8 mm	Flange width
H	114 mm	Height flange
U	38,9 mm	Total height unit
C_r	13.600 N	Basic dynamic load rating, radial
C_{0r}	6.600 N	Basic static load rating, radial
C_{0rG}	8.500 N	Load carrying capacity (housing)
	0,27 kg	Weight

Dimensions

A	26,5 mm	Height housing
	1	Number of housings
A_1	11,4 mm	Thickness of flange
A_2	15,4 mm	Distance raceway
	GEH.CJT04-TV	Housing
	GRAE20-NPP-B-	Bearing designation
	FA107/125.5	
	KASK04	Protecting cap
V	63,8 mm	Shoulder diameter housing
Q	1/4-28 UNF	Connection thread lubrication
d_3	33 mm	Outside diameter eccentric locking collar

Mounting dimensions

J	90 mm	Distance fixing bore
N	11 mm	Fixing bore
n	2	Number of screwing holes