



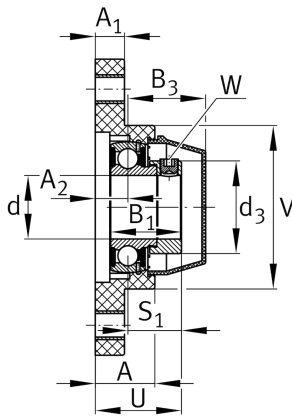
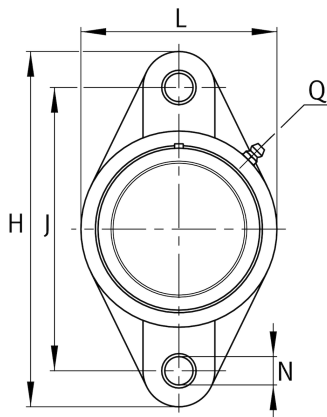
PCJT45-TV-FA125.5

Flanged housing unit

Schaeffler ID:
0573401450000

Flanged housing unit PCJT..-TV

Technical information



Main Dimensions & Performance Data

d	45 mm	Bore diameter
L	108 mm	Flange width
H	188,5 mm	Height flange
U	56,8 mm	Total height unit
C_r	32.500 N	Basic dynamic load rating, radial
C_{0r}	20.400 N	Basic static load rating, radial
C_{0rG}	15.100 N	Load carrying capacity (housing)
	1,09 kg	Weight

Dimensions

A	41 mm	Height housing
	1	Number of housings
A_1	21 mm	Thickness of flange
A_2	24 mm	Distance raceway
	GEH.CJT09-TV	Housing
	GRAE45-NPP-B- FA107/125.5	Bearing designation
	KASK09	Protecting cap
V	108 mm	Shoulder diameter housing
Q	1/4 - 28 UNF	Connection thread lubrication
d_3	63 mm	Outside diameter eccentric locking collar

Mounting dimensions

J	148,5 mm	Distance fixing bore
N	17 mm	Fixing bore
n	2	Number of screwing holes