



PCJTY30-XL-N

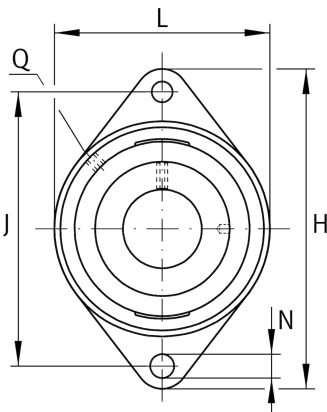
Flanged housing unit

Schaeffler ID:
0009503190000

Housing units PCJTY, two-bolt flanged housing units, cast iron, grub screws in inner ring, P seals

X-life

Technical information



Main Dimensions & Performance Data

d	30 mm	Bore diameter
L	80 mm	Flange width
H	142 mm	Height flange
U	41 mm	Total height unit
C_r	19.500 N	Basic dynamic load rating, radial
C_{0r}	11.300 N	Basic static load rating, radial
C_{ur}	480 N	Fatigue load limit, radial
	0,75 kg	Weight

Dimensions

A	29 mm	Height housing
	1	Number of housings
A_1	12 mm	Thickness of flange
A_2	20 mm	Distance raceway
	CJT06	Housing
	GAY30-XL-NPP-B	Bearing designation
B	30 mm	Width
	KASK06	Protecting cap
V	80 mm	Shoulder diameter housing
Q	M6	Connection thread lubrication

Mounting dimensions

J	116,5 mm	Distance fixing bore
N	11.5 mm	Fixing bore
n	2	Number of screwing holes

