



RA20-XL

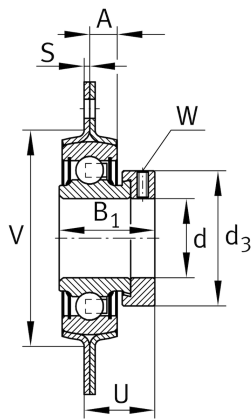
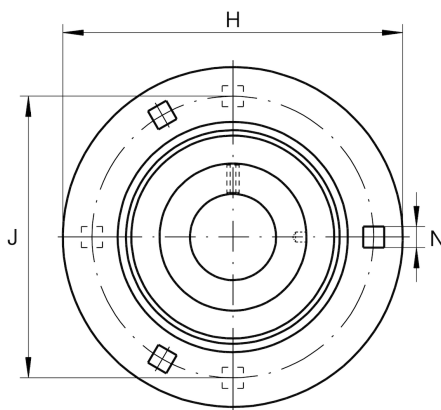
Flanged housing unit

Schaeffler ID:
0008292770000

Flanged housing unit RA..-XL

X-life

Technical information



Main Dimensions & Performance Data

| | | |
|------------------|----------|-----------------------------------|
| d | 20 mm | Bore diameter |
| H | 90,5 mm | Height flange |
| H | 90,5 mm | Flange width |
| U | 25,5 mm | Total height unit |
| B ₁ | 31 mm | Locking collar total width |
| C _{ur} | 345 N | Fatigue load limit, radial |
| C _r | 12.800 N | Basic dynamic load rating, radial |
| C _{0r} | 6.600 N | Basic static load rating, radial |
| C _{0rG} | 3.200 N | Load carrying capacity (housing) |
| | 0,317 kg | Weight |

Dimensions

| | | |
|----------------|----------------|---|
| A | 8 mm | Height housing |
| | 2 | Number of housings |
| | FLAN47-MSB | Housing |
| | EXZ | Fixing |
| | RAE20-XL-NPP-B | Bearing designation |
| S | 2 mm | Thickness of flange |
| V | 55 mm | Shoulder diameter housing |
| d ₃ | 33 mm | Outside diameter locking collar/locknut |

Mounting dimensions

| | | |
|---|---------|-------------------------------|
| J | 71,5 mm | Pitch circle diameter (holes) |
| N | 8,7 mm | Fixing square |
| n | 3 | Number of screwing holes |