



RA45-XL

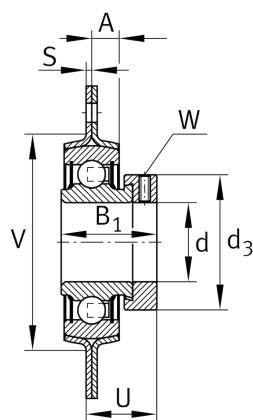
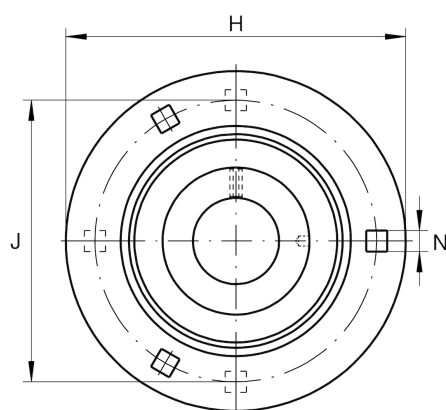
Flanged housing unit

Schaeffler ID:
0008293580000

Flanged housing unit RA..-XL

X-life

Technical information



Main Dimensions & Performance Data

d	45 mm	Bore diameter
H	149,2 mm	Height flange
H	149,2 mm	Flange width
U	36,2 mm	Total height unit
B ₁	43,8 mm	Locking collar total width
C _{ur}	970 N	Fatigue load limit, radial
C _r	32.500 N	Basic dynamic load rating, radial
C _{0r}	20.400 N	Basic static load rating, radial
C _{0rG}	7.700 N	Load carrying capacity (housing)
	1,41 kg	Weight

Dimensions

A	11,1 mm	Height housing
	2	Number of housings
	FLAN85-MSB	Housing
	EXZ	Fixing
	RAE45-XL-NPP-B	Bearing designation
S	3,5 mm	Thickness of flange
V	95 mm	Shoulder diameter housing
d ₃	63 mm	Outside diameter locking collar/locknut

Mounting dimensions

J	120,5 mm	Pitch circle diameter (holes)
N	13,5 mm	Fixing square
n	4	Number of screwing holes