



## RA50-XL

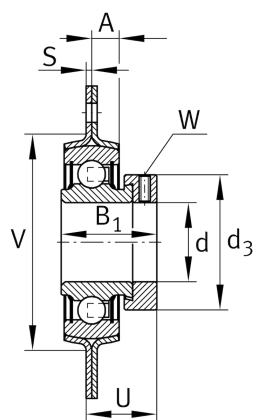
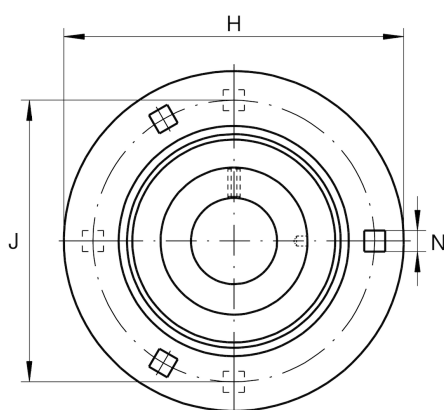
### Flanged housing unit

Schaeffler ID:  
0008293660000

Flanged housing unit RA..-XL

X-life

## Technical information



### Main Dimensions & Performance Data

d	50 mm	Bore diameter
H	155,5 mm	Height flange
H	155,5 mm	Flange width
U	36,7 mm	Total height unit
B <sub>1</sub>	43,8 mm	Locking collar total width
C <sub>ur</sub>	1.210 N	Fatigue load limit, radial
C <sub>r</sub>	37.500 N	Basic dynamic load rating, radial
C <sub>0r</sub>	23.200 N	Basic static load rating, radial
C <sub>0rG</sub>	8.600 N	Load carrying capacity (housing)
	1,57 kg	Weight

### Dimensions

A	11,1 mm	Height housing
	2	Number of housings
	FLAN90-MSB	Housing
	FLAN90-MSB	Housing (Part 2)
	EXZ	Fixing
	GRAE50-XL-NPP-B	Bearing designation
S	4 mm	Thickness of flange
V	100 mm	Shoulder diameter housing
d <sub>3</sub>	69 mm	Outside diameter locking collar/locknut

### Mounting dimensions

J	127 mm	Pitch circle diameter (holes)
N	13,5 mm	Fixing square
n	4	Number of screwing holes
n	4	Number of screws