



RAT12-XL

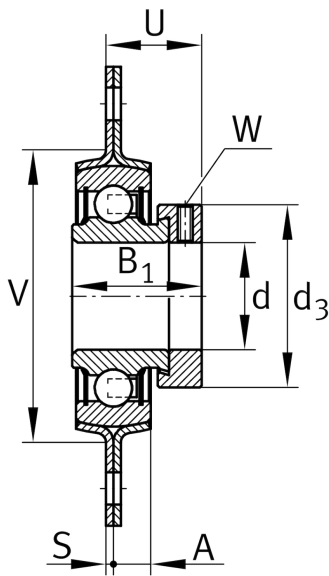
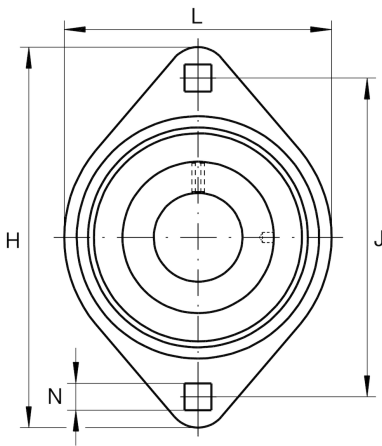
Flanged housing unit

Schaeffler ID:
0008280250000

Housing units RAT, two-bolt flanged housing units, sheet steel, eccentric locking collar, P seals

X-life

Technical information



Main Dimensions & Performance Data

d	12 mm	Bore diameter
L	58,7 mm	Flange width
H	81 mm	Height flange
H	81 mm	Flange width
U	24 mm	Total height unit
C_r	9.800 N	Basic dynamic load rating, radial
C_{0r}	4.750 N	Basic static load rating, radial
C_{ur}	248 N	Fatigue load limit, radial
C_{0rG}	2.700 N	Load carrying capacity (housing)
C_g	2.700 N	Load carrying capacity (housing)
	0,21 kg	Weight

Dimensions

A	7 mm	Height housing
	2	Number of housings
	FLAN40-MST	Housing
	RAE12-XL-NPP-B	Bearing designation
S_1	2 mm	Thickness of flange
S	2 mm	Thickness of flange
V	48 mm	Shoulder diameter housing

Mounting dimensions

J	63,5 mm	Distance fixing bore
N	7,1 mm	Fixing square
n	2	Number of screwing holes