



## RAT40-XL

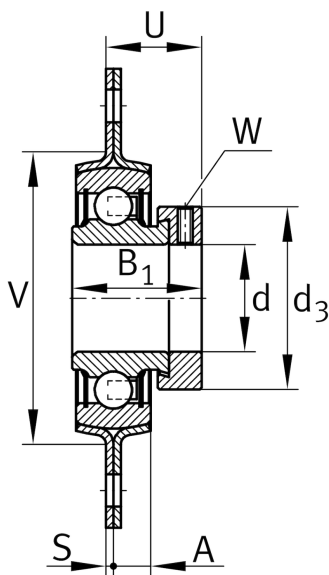
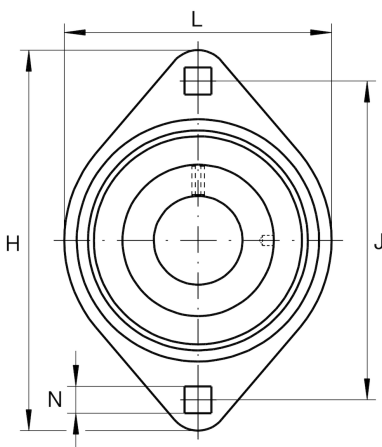
### Flanged housing unit

Schaeffler ID:  
0008281060000

Housing units RAT, two-bolt flanged housing units, sheet steel, eccentric locking collar, P seals

X-life

### Technical information



### Main Dimensions & Performance Data

d	40 mm	Bore diameter
L	100 mm	Flange width
H	151 mm	Height flange
H	147,5 mm	Flange width
U	36,2 mm	Total height unit
$C_r$	34.500 N	Basic dynamic load rating, radial
$C_{0r}$	19.800 N	Basic static load rating, radial
$C_{ur}$	1.030 N	Fatigue load limit, radial
$C_{0rG}$	7.000 N	Load carrying capacity (housing)
$C_g$	7.000 N	Load carrying capacity (housing)
	0,99 kg	Weight

### Dimensions

A	11,5 mm	Height housing
	2	Number of housings
	FLAN80-MST	Housing
	RAE40-XL-NPP-B	Bearing designation
$S_1$	3,5 mm	Thickness of flange
S	3,5 mm	Thickness of flange
V	90 mm	Shoulder diameter housing

### Mounting dimensions

J	119 mm	Distance fixing bore
N	13,5 mm	Fixing square
n	2	Number of screwing holes