



RATY40-XL

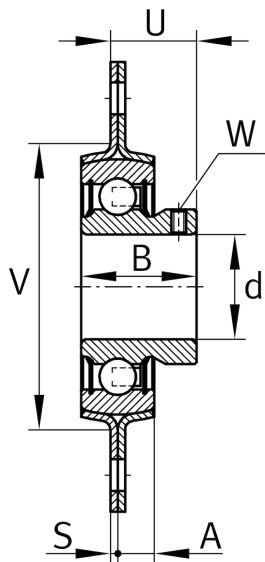
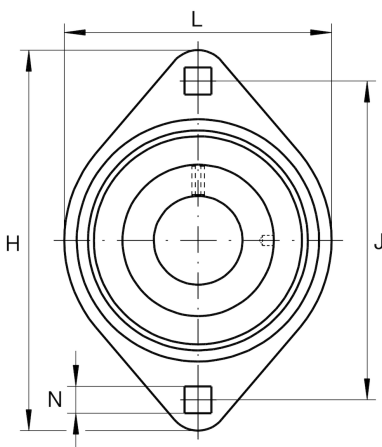
Flanged housing unit

Schaeffler ID:
0008844480000

Housing units RATY, two-bolt flanged housing units, sheet steel, grub screws in inner ring, P seals

X-life

Technical information



Main Dimensions & Performance Data

d	40 mm	Bore diameter
L	100 mm	Flange width
H	151 mm	Height flange
H	151 mm	Flange width
U	32,5 mm	Total height unit
C_r	32.500 N	Basic dynamic load rating, radial
C_{0r}	19.800 N	Basic static load rating, radial
C_{ur}	910 N	Fatigue load limit, radial
C_{0rG}	7.000 N	Load carrying capacity (housing)
C_g	7.000 N	Load carrying capacity (housing)
	0,91 kg	Weight

Dimensions

A	11,5 mm	Height housing
	2	Number of housings
	FLAN80-MST	Housing
	GAY40-XL-NPP-B	Bearing designation
B	39,5 mm	Width
S_1	3,5 mm	Thickness of flange
S	3,5 mm	Thickness of flange
V	90 mm	Shoulder diameter housing

Mounting dimensions

J	119 mm	Distance fixing bore
N	13,5 mm	Fixing bore
N	13,5 mm	Fixing square
n	2	Number of screwing holes