



## RCJ17-XL

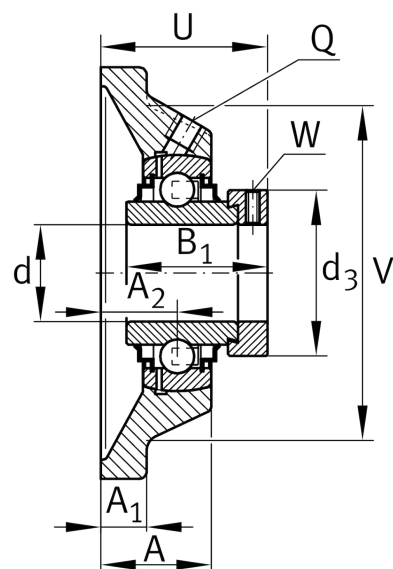
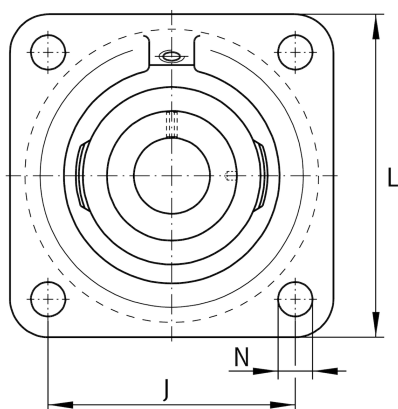
### Flanged housing unit

Schaeffler ID:  
0009543060000

Housing units RCJ, four-bolt flanged housing units, cast iron, eccentric locking collar, R seals

X-life

## Technical information



### Main Dimensions & Performance Data

d	17 mm	Bore diameter
L	76 mm	Flange width
U	40,4 mm	Total height unit
$C_r$	10.100 N	Basic dynamic load rating, radial
$C_{0r}$	4.750 N	Basic static load rating, radial
$C_{ur}$	248 N	Fatigue load limit, radial
	0,47 kg	Weight

### Dimensions

A	27 mm	Height housing
	1	Number of housings
$A_1$	9,5 mm	Thickness of flange
$A_2$	17 mm	Distance raceway
	CJ03	Housing
	GE17-XL-KRR-B	Bearing designation
V	58 mm	Shoulder diameter housing
Q	M6	Connection thread lubrication
$d_3$	28,4 mm	Outside diameter eccentric locking collar

### Mounting dimensions

J	54 mm	Distance fixing bore
N	11,5 mm	Fixing bore
n	4	Number of screwing holes