



## RCJ25-XL-N

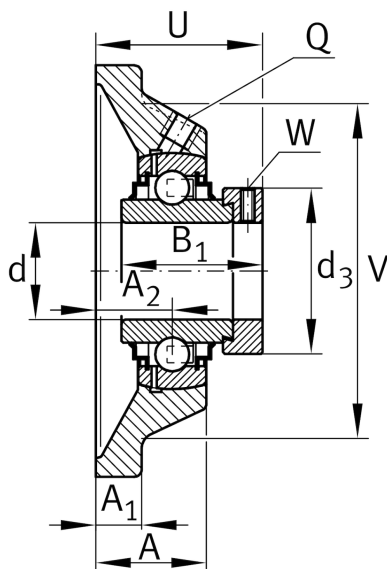
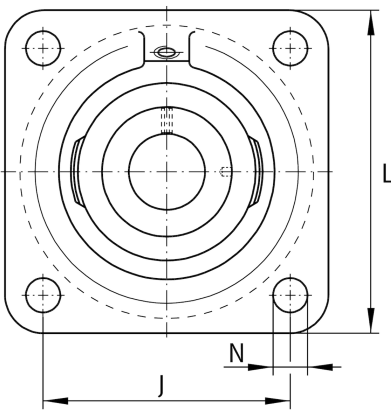
### Flanged housing unit

Schaeffler ID:  
0096421370000

Housing units RCJ, four-bolt flanged housing units, cast iron, eccentric locking collar, R seals

X-life

## Technical information



### Main Dimensions & Performance Data

|          |          |                                   |
|----------|----------|-----------------------------------|
| d        | 25 mm    | Bore diameter                     |
| L        | 95 mm    | Flange width                      |
| U        | 46 mm    | Total height unit                 |
| $C_r$    | 14.900 N | Basic dynamic load rating, radial |
| $C_{0r}$ | 7.800 N  | Basic static load rating, radial  |
| $C_{ur}$ | 410 N    | Fatigue load limit, radial        |
|          | 0,82 kg  | Weight                            |

### Dimensions

|       |               |   |
|-------|---------------|---|
| A     | 29 mm         | Height housing                            |
|       | 1             | Number of housings                        |
| $A_1$ | 11 mm         | Thickness of flange                       |
| $A_2$ | 19 mm         | Distance raceway                          |
|       | CJ05          | Housing                                   |
|       | GE25-XL-KRR-B | Bearing designation                       |
|       | KASK05        | Protecting cap                            |
| V     | 74 mm         | Shoulder diameter housing                 |
| Q     | M6            | Connection thread lubrication             |
| $d_3$ | 37,5 mm       | Outside diameter eccentric locking collar |

### Mounting dimensions

|   |         |                          |
|---|---------|--------------------------|
| J | 70 mm   | Distance fixing bore     |
| N | 11.5 mm | Fixing bore              |
| n | 4       | Number of screwing holes |