



RCJ45-XL

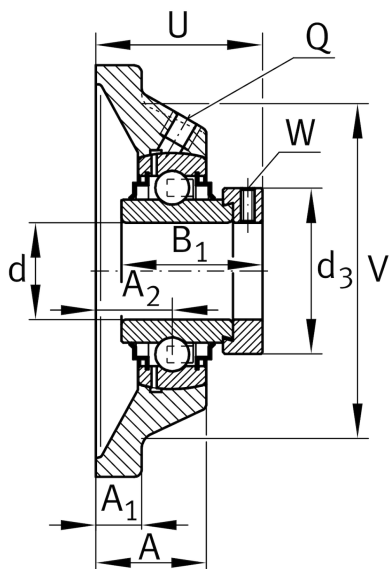
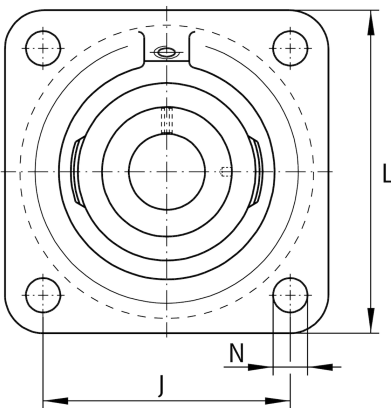
Flanged housing unit

Schaeffler ID:
0008311230000

Housing units RCJ, four-bolt flanged housing units, cast iron, eccentric locking collar, R seals

X-life

Technical information



Main Dimensions & Performance Data

| | | |
|----------|----------|-----------------------------------|
| d | 45 mm | Bore diameter |
| L | 137 mm | Flange width |
| U | 59,1 mm | Total height unit |
| C_r | 34.500 N | Basic dynamic load rating, radial |
| C_{0r} | 20.400 N | Basic static load rating, radial |
| C_{ur} | 970 N | Fatigue load limit, radial |
| | 2,38 kg | Weight |

Dimensions

| | | |
|-------|---------------|---|
| A | 35 mm | Height housing |
| | 1 | Number of housings |
| A_1 | 13 mm | Thickness of flange |
| A_2 | 24 mm | Distance raceway |
| | CJ09 | Housing |
| | GE45-XL-KRR-B | Bearing designation |
| V | 116 mm | Shoulder diameter housing |
| Q | Rp1/8 | Connection thread lubrication |
| d_3 | 63 mm | Outside diameter eccentric locking collar |

Mounting dimensions

| | | |
|---|--------|--------------------------|
| J | 105 mm | Distance fixing bore |
| N | 14 mm | Fixing bore |
| n | 4 | Number of screwing holes |