



RCJ55-XL

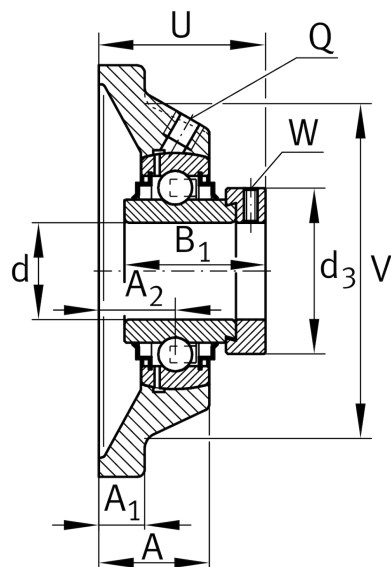
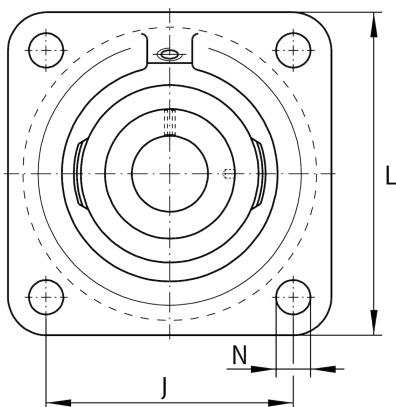
Flanged housing unit

Schaeffler ID:
0008311580000

Housing units RCJ, four-bolt flanged housing units, cast iron, eccentric locking collar, R seals

X-life

Technical information



Main Dimensions & Performance Data

| | | |
|----------|----------|-----------------------------------|
| d | 55 mm | Bore diameter |
| L | 162 mm | Flange width |
| U | 74,6 mm | Total height unit |
| C_r | 46.000 N | Basic dynamic load rating, radial |
| C_{0r} | 29.000 N | Basic static load rating, radial |
| C_{ur} | 1.520 N | Fatigue load limit, radial |
| | 3,48 kg | Weight |

Dimensions

| | | |
|-------|---------------|---|
| A | 43,5 mm | Height housing |
| | 1 | Number of housings |
| A_1 | 15 mm | Thickness of flange |
| A_2 | 31 mm | Distance raceway |
| | CJ11 | Housing |
| | GE55-XL-KRR-B | Bearing designation |
| V | 140 mm | Shoulder diameter housing |
| Q | Rp1/8 | Connection thread lubrication |
| d_3 | 76 mm | Outside diameter eccentric locking collar |

Mounting dimensions

| | | |
|---|--------|--------------------------|
| J | 130 mm | Distance fixing bore |
| N | 18 mm | Fixing bore |
| n | 4 | Number of screwing holes |