



IMAGE
COMING SOON



RCJ25-XL-N-FA125

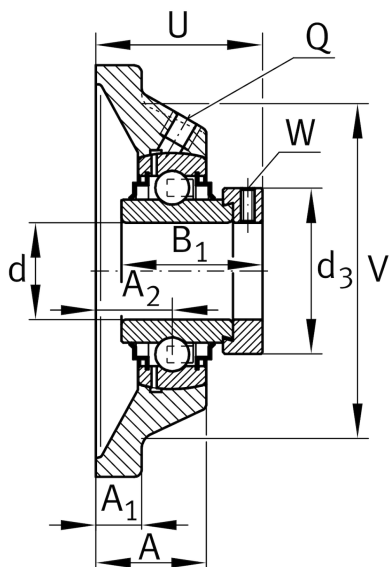
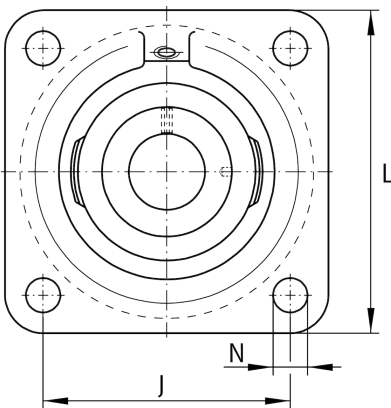
Flanged housing unit

Schaeffler ID:
0096272430000

Housing units RCJ...-FA125, four-bolt
flanged housing units, cast iron, eccentric
locking collar, R seals, with anti-corrosion
protection

X-life

Technical information



Main Dimensions & Performance Data

d	25 mm	Bore diameter
L	95 mm	Flange width
U	46 mm	Total height unit
C_r	14.900 N	Basic dynamic load rating, radial
C_{0r}	7.800 N	Basic static load rating, radial
C_{ur}	410 N	Fatigue load limit, radial
	0,81 kg	Weight

Dimensions

A	29 mm	Height housing
	1	Number of housings
A_1	11 mm	Thickness of flange
A_2	19 mm	Distance raceway
	CJ05	Housing
	GE25-XL-KRR-B-	Bearing designation
	FA125	
	KASK05	Protecting cap
V	74 mm	Shoulder diameter housing
Q	M6	Connection thread lubrication
d_3	37,5 mm	Outside diameter eccentric locking collar

Mounting dimensions

J	70 mm	Distance fixing bore
N	11.5 mm	Fixing bore
n	4	Number of screwing holes