



IMAGE  
COMING SOON



## RCJ30-XL-N-FA125

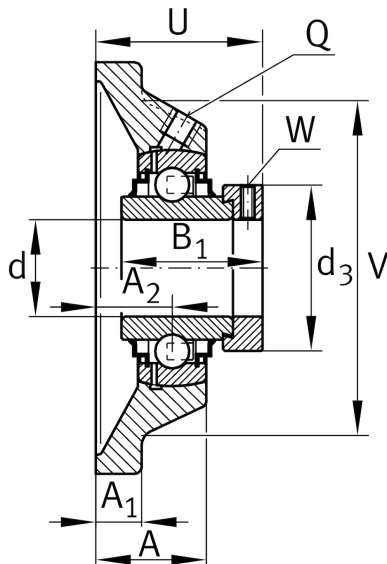
### Flanged housing unit

Schaeffler ID:  
0096272780000

Housing units RCJ..-FA125, four-bolt flanged housing units, cast iron, eccentric locking collar, R seals, with anti-corrosion protection

X-life

### Technical information



### Main Dimensions & Performance Data

d	30 mm	Bore diameter
L	108 mm	Flange width
U	50,2 mm	Total height unit
$C_r$	20.700 N	Basic dynamic load rating, radial
$C_{0r}$	11.300 N	Basic static load rating, radial
$C_{ur}$	590 N	Fatigue load limit, radial
	1,18 kg	Weight

### Dimensions

A	29 mm	Height housing
	1	Number of housings
$A_1$	12 mm	Thickness of flange
$A_2$	20 mm	Distance raceway
	CJ06	Housing
	GE30-XL-KRR-B-	Bearing designation
	FA125	
	KASK06	Protecting cap
V	85 mm	Shoulder diameter housing
Q	Rp1/8	Connection thread lubrication
$d_3$	44 mm	Outside diameter eccentric locking collar

### Mounting dimensions

J	82,5 mm	Distance fixing bore
N	11.5 mm	Fixing bore
n	4	Number of screwing holes