



## RCJ50-XL-N-FA125

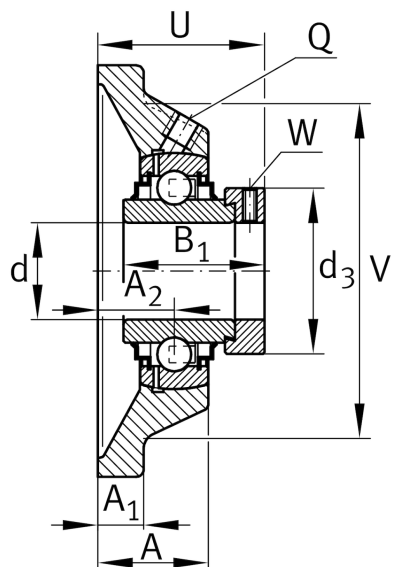
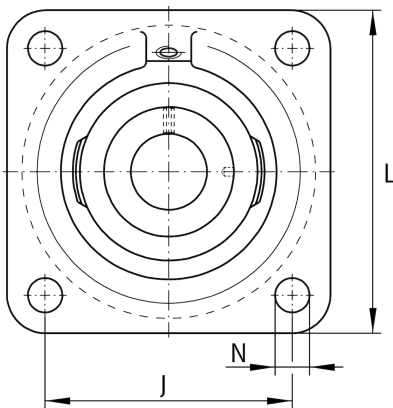
### Flanged housing unit

Schaeffler ID:  
0096277070000

Housing units RCJ..-FA125, four-bolt flanged housing units, cast iron, eccentric locking collar, R seals, with anti-corrosion protection

X-life

### Technical information



### Main Dimensions & Performance Data

d	50 mm	Bore diameter
L	143 mm	Flange width
U	66,2 mm	Total height unit
$C_r$	37.500 N	Basic dynamic load rating, radial
$C_{0r}$	23.200 N	Basic static load rating, radial
$C_{ur}$	990 N	Fatigue load limit, radial
	2,64 kg	Weight

### Dimensions

A	41 mm	Height housing
	1	Number of housings
$A_1$	13 mm	Thickness of flange
$A_2$	28 mm	Distance raceway
	CJ10	Housing
	GE50-XL-KRR-B-	Bearing designation
	FA125	
	KASK10	Protecting cap
V	119 mm	Shoulder diameter housing
Q	Rp1/8	Connection thread lubrication
$d_3$	69 mm	Outside diameter eccentric locking collar

### Mounting dimensions

J	111 mm	Distance fixing bore
N	18 mm	Fixing bore
n	4	Number of screwing holes