



RCJL30-XL-N

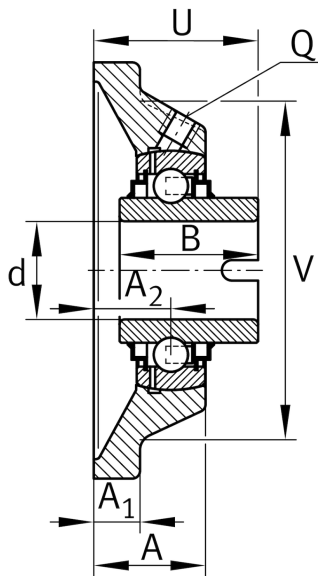
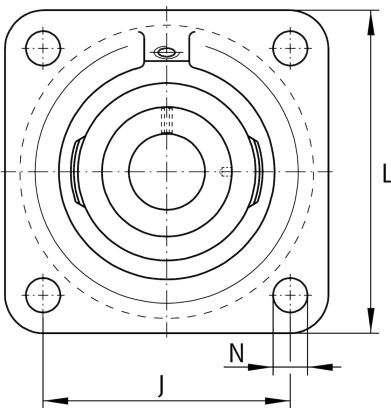
Flanged housing unit

Schaeffler ID:
0008489130000

Housing units RCJL, four-bolt flanged housing units, cast iron, non-locating bearing, drive slot on inner ring, R seals

X-life

Technical information



Main Dimensions & Performance Data

d	30 mm	Bore diameter
L	108 mm	Flange width
U	42 mm	Total height unit
C_r	20.700 N	Basic dynamic load rating, radial
C_{0r}	11.300 N	Basic static load rating, radial
C_{ur}	520 N	Fatigue load limit, radial
	1,08 kg	Weight

Dimensions

A	29 mm	Height housing
	1	Number of housings
A_1	12 mm	Thickness of flange
A_2	20 mm	Distance raceway
	CJ06	Housing
	GLE30-XL-KRR-B	Bearing designation
	KASK06	Protecting cap
V	85 mm	Shoulder diameter housing
Q	M6	Connection thread lubrication

Mounting dimensions

J	82,5 mm	Distance fixing bore
N	11.5 mm	Fixing bore
n	4	Number of screwing holes