



RCJL35-XL-N

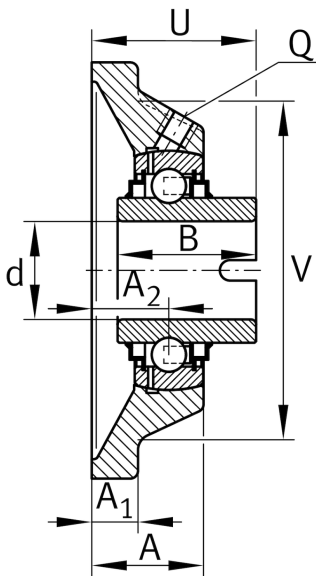
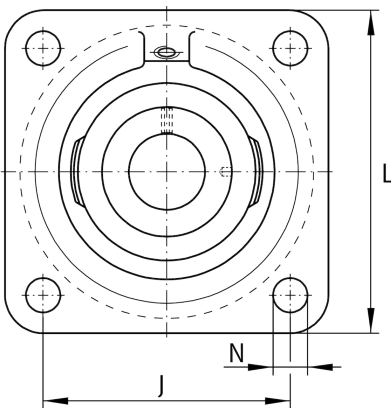
Flanged housing unit

Schaeffler ID:
0008489210000

Housing units RCJL, four-bolt flanged housing units, cast iron, non-locating bearing, drive slot on inner ring, R seals

X-life

Technical information



Main Dimensions & Performance Data

d	35 mm	Bore diameter
L	118 mm	Flange width
U	43 mm	Total height unit
C_r	27.500 N	Basic dynamic load rating, radial
C_{0r}	13.300 N	Basic static load rating, radial
C_{ur}	700 N	Fatigue load limit, radial
	1,4 kg	Weight

Dimensions

A	30,5 mm	Height housing
	1	Number of housings
A_1	12,5 mm	Thickness of flange
A_2	21 mm	Distance raceway
	CJ07	Housing
	GLE35-XL-KRR-B	Bearing designation
	KASK07	Protecting cap
V	100 mm	Shoulder diameter housing
Q	M6	Connection thread lubrication

Mounting dimensions

J	92 mm	Distance fixing bore
N	14 mm	Fixing bore
n	4	Number of screwing holes