



## RCJO30-XL

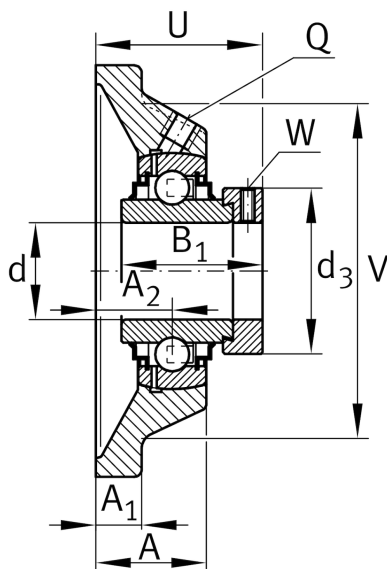
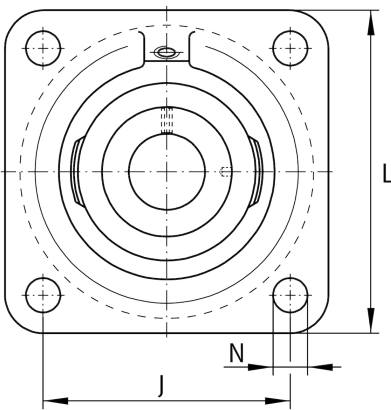
### Flanged housing unit

Schaeffler ID:  
0009467020000

Housing units RCJO, four-bolt flanged housing units, cast iron, eccentric locking collar, series 63, R seals

X-life

## Technical information



### Main Dimensions & Performance Data

d	30 mm	Bore diameter
L	125 mm	Flange width
U	53,1 mm	Total height unit
$C_r$	29.500 N	Basic dynamic load rating, radial
$C_{0r}$	16.700 N	Basic static load rating, radial
$C_{ur}$	870 N	Fatigue load limit, radial
	1,7 kg	Weight

### Dimensions

A	30,6 mm	Height housing
	1	Number of housings
$A_1$	15 mm	Thickness of flange
$A_2$	20,6 mm	Distance raceway
	CJO06	Housing
	GNE30-XL-KRR-B	Bearing designation
V	98 mm	Shoulder diameter housing
Q	M6	Connection thread lubrication
$d_3$	51 mm	Outside diameter eccentric locking collar

### Mounting dimensions

J	95 mm	Distance fixing bore
N	14.5 mm	Fixing bore
n	4	Number of screwing holes