



## RCJO40-XL

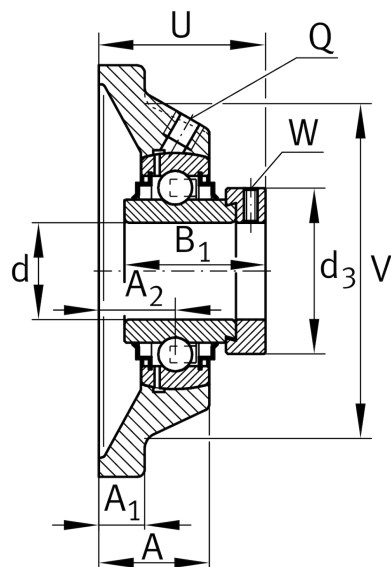
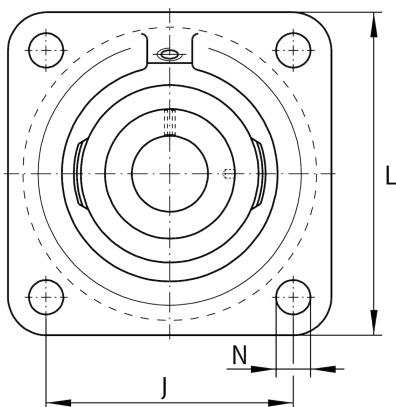
### Flanged housing unit

Schaeffler ID:  
0009467100000

Housing units RCJO, four-bolt flanged housing units, cast iron, eccentric locking collar, series 63, R seals

X-life

## Technical information



### Main Dimensions & Performance Data

d	40 mm	Bore diameter
L	150 mm	Flange width
U	59,6 mm	Total height unit
$C_r$	44.500 N	Basic dynamic load rating, radial
$C_{0r}$	26.000 N	Basic static load rating, radial
$C_{ur}$	1.360 N	Fatigue load limit, radial
	2,91 kg	Weight

### Dimensions

A	34,5 mm	Height housing
	1	Number of housings
$A_1$	17 mm	Thickness of flange
$A_2$	23 mm	Distance raceway
	CJO08	Housing
	GNE40-XL-KRR-B	Bearing designation
V	121 mm	Shoulder diameter housing
Q	M6	Connection thread lubrication
$d_3$	63 mm	Outside diameter eccentric locking collar

### Mounting dimensions

J	112 mm	Distance fixing bore
N	19 mm	Fixing bore
n	4	Number of screwing holes