



RCJO50-XL

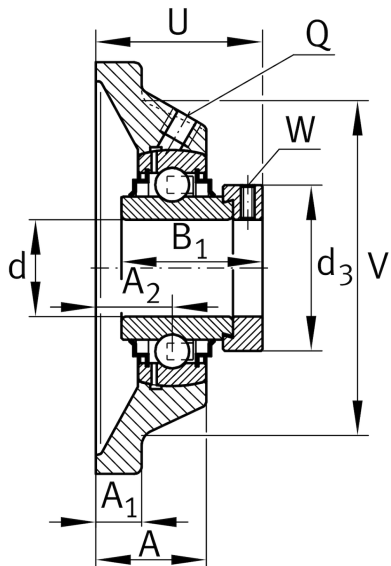
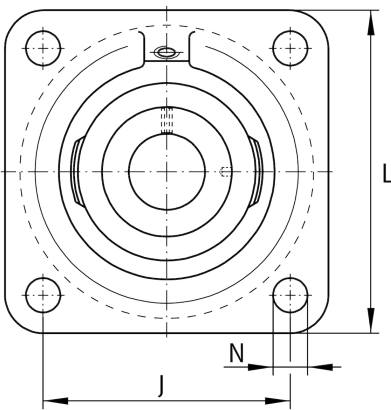
Flanged housing unit

Schaeffler ID:
0009467290000

Housing units RCJO, four-bolt flanged housing units, cast iron, eccentric locking collar, series 63, R seals

X-life

Technical information



Main Dimensions & Performance Data

d	50 mm	Bore diameter
L	175 mm	Flange width
U	70,1 mm	Total height unit
C_r	66.000 N	Basic dynamic load rating, radial
C_{0r}	38.000 N	Basic static load rating, radial
C_{ur}	1.970 N	Fatigue load limit, radial
	4,7 kg	Weight

Dimensions

A	42,5 mm	Height housing
	1	Number of housings
A_1	19 mm	Thickness of flange
A_2	28 mm	Distance raceway
	CJO10	Housing
	GNE50-XL-KRR-B	Bearing designation
V	144 mm	Shoulder diameter housing
Q	M6	Connection thread lubrication
d_3	75,8 mm	Outside diameter eccentric locking collar

Mounting dimensions

J	132 mm	Distance fixing bore
N	23 mm	Fixing bore
n	4	Number of screwing holes