



RCJT17-XL

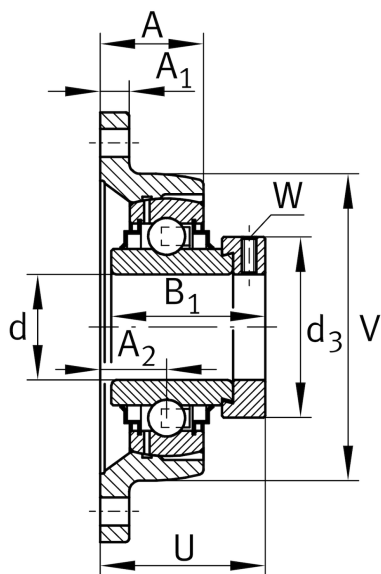
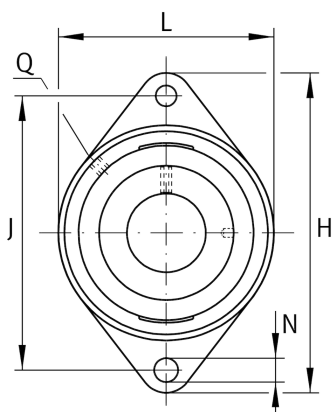
Flanged housing unit

Schaeffler ID:
0008308360000

Housing units RCJT, two-bolt flanged housing units, cast iron, eccentric locking collar, R seals

X-life

Technical information



Main Dimensions & Performance Data

d	17 mm	Bore diameter
L	57 mm	Flange width
H	99 mm	Height flange
U	40,4 mm	Total height unit
C _r	10.100 N	Basic dynamic load rating, radial
C _{0r}	4.750 N	Basic static load rating, radial
C _{ur}	248 N	Fatigue load limit, radial
	0,38 kg	Weight

Dimensions

A	25 mm	Height housing
	1	Number of housings
A ₁	9,5 mm	Thickness of flange
A ₂	17 mm	Distance raceway
	CJT03	Housing
	GE17-XL-KRR-B	Bearing designation
V	57 mm	Shoulder diameter housing
Q	M6	Connection thread lubrication
d ₃	28,4 mm	Outside diameter eccentric locking collar

Mounting dimensions

J	76,5 mm	Distance fixing bore
N	11.5 mm	Fixing bore
n	2	Number of screwing holes