



## RCJY65-214-XL

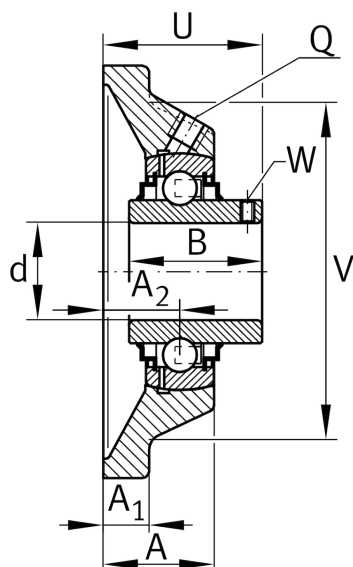
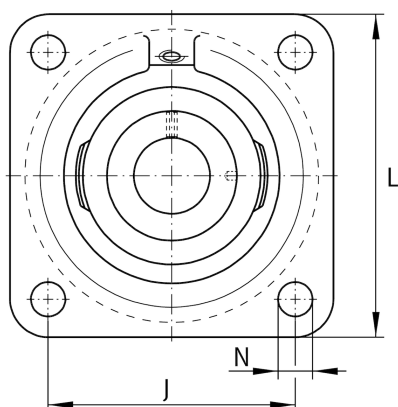
### Flanged housing unit

Schaeffler ID:  
0009491320000

Housing units RCJY, four-bolt flanged housing units, cast iron, grub screws in inner ring, R seals

X-life

## Technical information



### Main Dimensions & Performance Data

d	65 mm	Bore diameter
L	188 mm	Flange width
U	82,4 mm	Total height unit
$C_r$	66.000 N	Basic dynamic load rating, radial
$C_{0r}$	44.000 N	Basic static load rating, radial
$C_{ur}$	2.300 N	Fatigue load limit, radial
	5,86 kg	Weight

### Dimensions

A	52 mm	Height housing
	1	Number of housings
$A_1$	18 mm	Thickness of flange
$A_2$	38 mm	Distance raceway
	CJ14	Housing
	GYE65-214-XL-KRR-	Bearing designation
	B	
B	74,6 mm	Width
V	165 mm	Shoulder diameter housing
Q	Rp1/8	Connection thread lubrication

### Mounting dimensions

J	150 mm	Distance fixing bore
N	18 mm	Fixing bore
n	4	Number of screwing holes