



RCJY70-XL

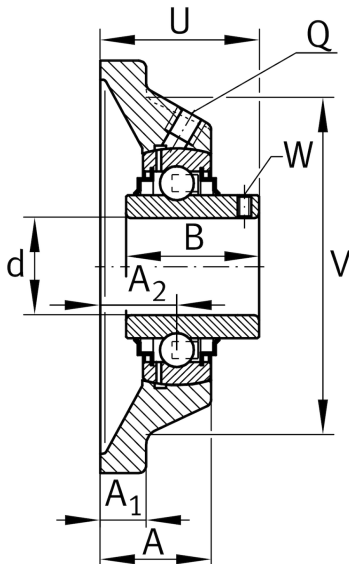
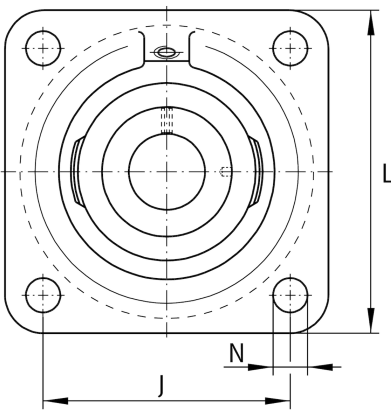
Flanged housing unit

Schaeffler ID:
0009473930000

Housing units RCJY, four-bolt flanged housing units, cast iron, grub screws in inner ring, R seals

X-life

Technical information



Main Dimensions & Performance Data

d	70 mm	Bore diameter
L	188 mm	Flange width
U	82,4 mm	Total height unit
C_r	66.000 N	Basic dynamic load rating, radial
C_{0r}	44.000 N	Basic static load rating, radial
C_{ur}	2.300 N	Fatigue load limit, radial
	5,31 kg	Weight

Dimensions

A	52 mm	Height housing
	1	Number of housings
A_1	18 mm	Thickness of flange
A_2	38 mm	Distance raceway
	CJ14	Housing
	GYE70-XL-KRR-B	Bearing designation
B	74,6 mm	Width
V	165 mm	Shoulder diameter housing
Q	Rp1/8	Connection thread lubrication

Mounting dimensions

J	150 mm	Distance fixing bore
N	18 mm	Fixing bore
n	4	Number of screwing holes