



RCJY75-XL

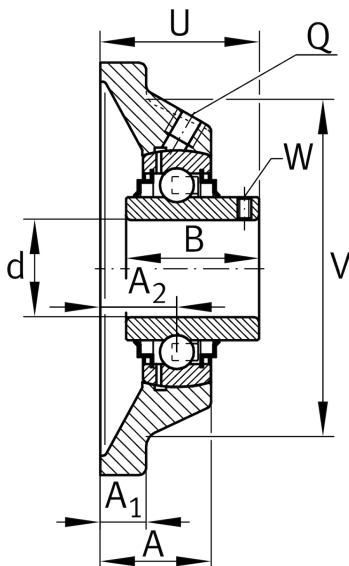
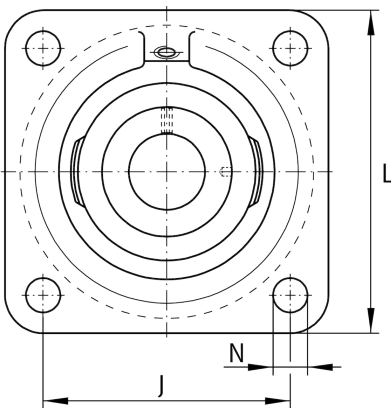
Flanged housing unit

Schaeffler ID:
0009491240000

Housing units RCJY, four-bolt flanged housing units, cast iron, grub screws in inner ring, R seals

X-life

Technical information



Main Dimensions & Performance Data

d	75 mm	Bore diameter
L	197 mm	Flange width
U	85,8 mm	Total height unit
C_r	66.000 N	Basic dynamic load rating, radial
C_{0r}	44.500 N	Basic static load rating, radial
C_{ur}	2.300 N	Fatigue load limit, radial
	5,73 kg	Weight

Dimensions

A	55,8 mm	Height housing
	1	Number of housings
A_1	20 mm	Thickness of flange
A_2	41,3 mm	Distance raceway
	CJ15	Housing
	GYE75-XL-KRR-B	Bearing designation
B	77,8 mm	Width
V	170 mm	Shoulder diameter housing
Q	M6	Connection thread lubrication

Mounting dimensions

J	153 mm	Distance fixing bore
N	23 mm	Fixing bore
n	4	Number of screwing holes