



RCSMF12-XL

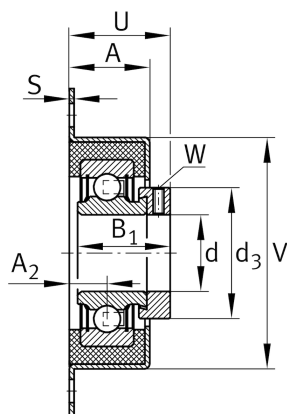
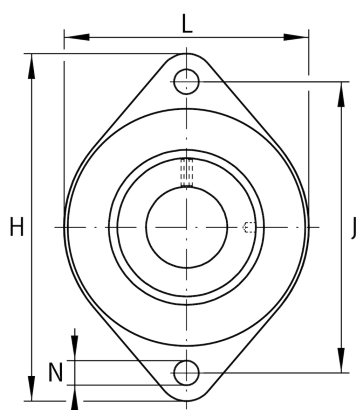
Flanged housing unit

Schaeffler ID:
0008269280000

Housing units RCSMF, two-bolt flanged housing units, sheet steel, rubber interliner, eccentric locking collar, P seals

X-life

Technical information



Main Dimensions & Performance Data

d	12 mm	Bore diameter
L	70 mm	Flange width
H	114 mm	Height flange
U	34,8 mm	Total height unit
C_r	9.800 N	Basic dynamic load rating, radial
C_{0r}	4.750 N	Basic static load rating, radial
C_{ur}	248 N	Fatigue load limit, radial
C_{0rG}	900 N	Load carrying capacity (housing)
C_g	900 N	Load carrying capacity (housing)
	0,27 kg	Weight

Dimensions

A	27 mm	Height housing
	2	Number of housings
A_2	12,7 mm	Distance raceway
	FLAN65-RCSMF	Housing
	GRG.RCSM40/65	Rubber interliner designation
	RAE12-XL-NPP-FA106	Bearing designation
S	1,5 mm	Thickness of flange
V	68 mm	Shoulder diameter housing

Mounting dimensions

J	92 mm	Distance fixing bore
N	10.5 mm	Fixing bore
n	2	Number of screwing holes