



RFE25-XL

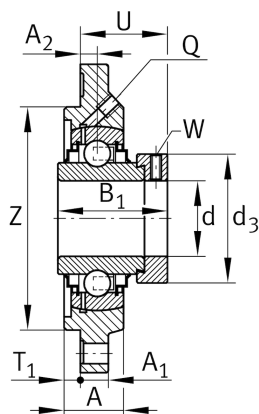
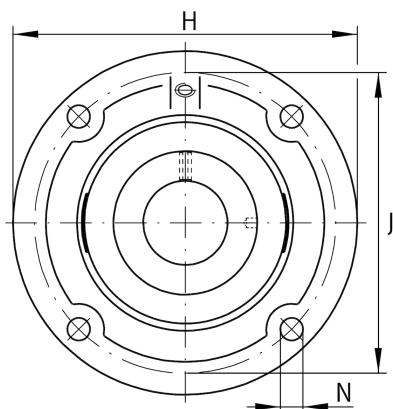
Flanged housing unit

Schaeffler ID:
0008276220000

Housing units RFE, four-bolt flanged housing units, cast iron, centring spigot, eccentric locking collar, R seals

X-life

Technical information



Main Dimensions & Performance Data

d	25 mm	Bore diameter
H	115 mm	Height flange
H	115 mm	Flange width
U	36,4 mm	Total height unit
C _r	14.900 N	Basic dynamic load rating, radial
C _{0r}	7.800 N	Basic static load rating, radial
C _{ur}	410 N	Fatigue load limit, radial
	0,83 kg	Weight

Dimensions

A	22 mm	Height housing
	1	Number of housings
A ₁	9 mm	Thickness of flange
A ₂	9,5 mm	Distance raceway
	GG.FE05	Housing
	GE25-XL-KRR-B	Bearing designation
B ₁	44,5 mm	Locking collar total width
Q	M6	Connection thread lubrication

Mounting dimensions

J	92 mm	Distance fixing bore
J	92 mm	Pitch circle diameter (holes)
N	9 mm	Fixing bore
T ₁	3 mm	Height spigot
Z	75 mm	Diameter spigot
	h8	Diameter spigot clearance
n	4	Number of screwing holes