



RME20-XL-N

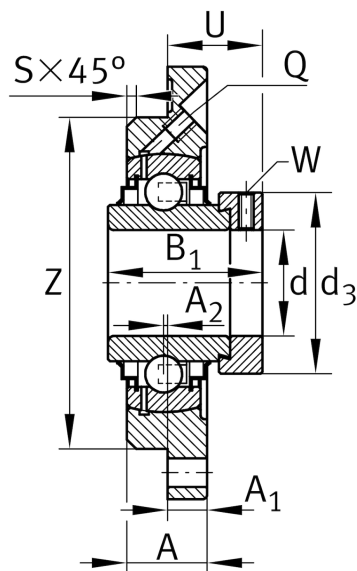
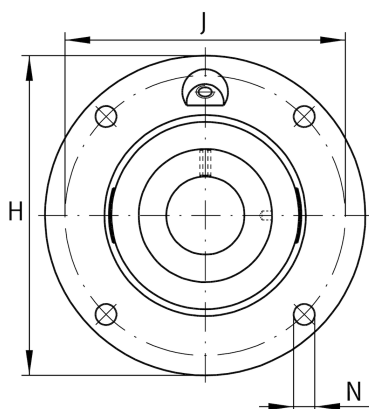
Flanged housing unit

Schaeffler ID:
0096429350000

Housing units RME, four-bolt flanged housing units, cast iron, centring spigot, eccentric locking collar, R seals

X-life

Technical information



Main Dimensions & Performance Data

| | | |
|-----------------|----------|-----------------------------------|
| d | 20 mm | Bore diameter |
| H | 100 mm | Height flange |
| B ₁ | 43,7 mm | Locking collar total width |
| U | 24,6 mm | Total height unit |
| C _r | 13.600 N | Basic dynamic load rating, radial |
| C _{0r} | 6.600 N | Basic static load rating, radial |
| C _{ur} | 345 N | Fatigue load limit, radial |
| | 0,57 kg | Weight |

Dimensions

| | | |
|----------------|---------------|-------------------------------|
| A | 17 mm | Height housing |
| | 1 | Number of housings |
| A ₁ | 8 mm | Thickness of flange |
| A ₂ | 2 mm | Distance raceway |
| | GG.ME04 | Housing |
| | GE20-XL-KRR-B | Bearing designation |
| | KASK04 | Protecting cap |
| S | 2 mm | Chamfer width |
| Q | M6 | Connection thread lubrication |

Mounting dimensions

| | | |
|---|-------|-------------------------------|
| J | 78 mm | Pitch circle diameter (holes) |
| N | 9 mm | Fixing bore |
| Z | 62 mm | Diameter spigot |
| | h8 | Diameter spigot clearance |
| n | 4 | Number of screwing holes |