



## RME55-XL

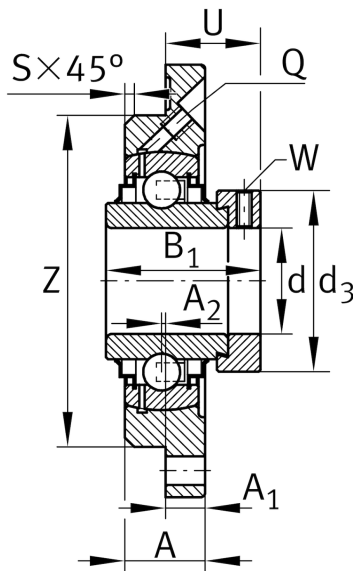
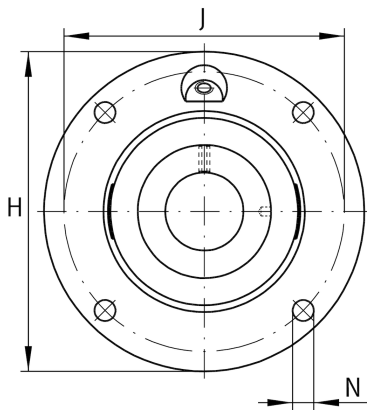
### Flanged housing unit

Schaeffler ID:  
0009410690000

Housing units RME, four-bolt flanged housing units, cast iron, centring spigot, eccentric locking collar, R seals

X-life

### Technical information



### Main Dimensions & Performance Data

d	55 mm	Bore diameter
H	185 mm	Height flange
B <sub>1</sub>	71,4 mm	Locking collar total width
U	43,6 mm	Total height unit
C <sub>r</sub>	46.000 N	Basic dynamic load rating, radial
C <sub>0r</sub>	29.000 N	Basic static load rating, radial
C <sub>ur</sub>	1.520 N	Fatigue load limit, radial
	3,55 kg	Weight

### Dimensions

A	27,5 mm	Height housing
	1	Number of housings
A <sub>1</sub>	15 mm	Thickness of flange
	ME11	Housing
	GE55-XL-KRR-B	Bearing designation
S	3 mm	Chamfer width
Q	M6	Connection thread lubrication

### Mounting dimensions

J	150 mm	Pitch circle diameter (holes)
N	18 mm	Fixing bore
Z	125 mm	Diameter spigot
	h8	Diameter spigot clearance
n	4	Number of screwing holes