



## RMEY65-214-XL

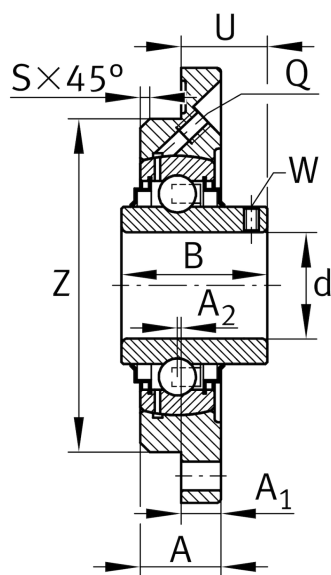
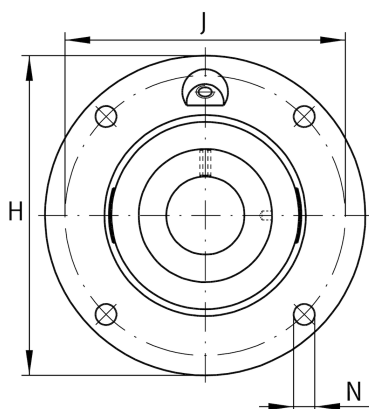
### Flanged housing unit

Schaeffler ID:  
0009503940000

Housing units RMEY, four-bolt flanged housing units, cast iron, centring spigot, grub screws in inner ring, R seals

X-life

### Technical information



### Main Dimensions & Performance Data

d	65 mm	Bore diameter
H	215 mm	Height flange
U	44,4 mm	Total height unit
C <sub>r</sub>	66.000 N	Basic dynamic load rating, radial
C <sub>0r</sub>	44.000 N	Basic static load rating, radial
C <sub>ur</sub>	1.870 N	Fatigue load limit, radial
	5,16 kg	Weight

### Dimensions

A	32 mm	Height housing
	1	Number of housings
A <sub>1</sub>	18 mm	Thickness of flange
	GG.ME14	Housing
	GYE65-214-XL-KRR-	Bearing designation
	B	
B	74,6 mm	Width
S	6 mm	Chamfer width
Q	Rp1/8	Connection thread lubrication

### Mounting dimensions

J	177 mm	Pitch circle diameter (holes)
N	18 mm	Fixing bore
Z	150 mm	Diameter spigot
	h8	Diameter spigot clearance
n	4	Number of screwing holes