



## TCJ45-XL

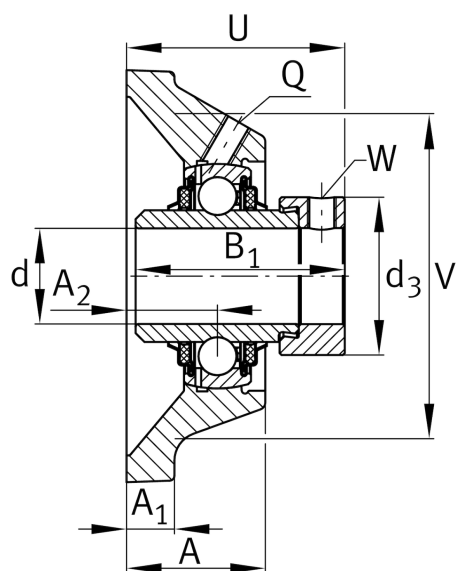
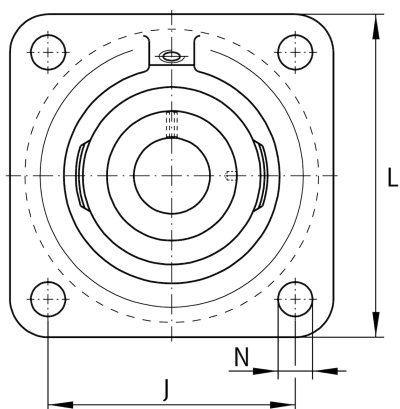
### Flanged housing unit

Schaeffler ID:  
0008568780000

Housing units TCJ, four-bolt flanged housing units, cast iron, eccentric locking collar, T seals

X-life

## Technical information



### Main Dimensions & Performance Data

d	45 mm	Bore diameter
L	137 mm	Flange width
U	59,1 mm	Total height unit
$C_r$	34.500 N	Basic dynamic load rating, radial
$C_{0r}$	20.400 N	Basic static load rating, radial
$C_{ur}$	970 N	Fatigue load limit, radial
	2,37 kg	Weight

### Dimensions

A	35 mm	Height housing
	1	Number of housings
$A_1$	13 mm	Thickness of flange
$A_2$	24 mm	Distance raceway
	CJ09	Housing
	GE45-XL-KTT-B	Bearing designation
V	116 mm	Shoulder diameter housing
Q	Rp1/8	Connection thread lubrication

### Mounting dimensions

J	105 mm	Distance fixing bore
N	14 mm	Fixing bore
n	4	Number of screwing holes