



TCJ55-XL

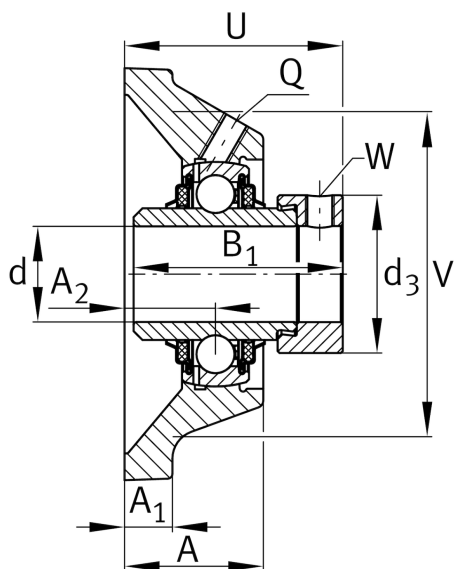
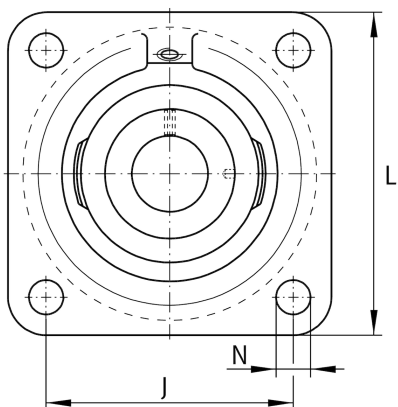
Flanged housing unit

Schaeffler ID:
0008843670000

Housing units TCJ, four-bolt flanged housing units, cast iron, eccentric locking collar, T seals

X-life

Technical information



Main Dimensions & Performance Data

d	55 mm	Bore diameter
L	162 mm	Flange width
U	74,6 mm	Total height unit
C_r	46.000 N	Basic dynamic load rating, radial
C_{0r}	29.000 N	Basic static load rating, radial
C_{ur}	1.520 N	Fatigue load limit, radial
	3,49 kg	Weight

Dimensions

A	43,5 mm	Height housing
	1	Number of housings
A_1	15 mm	Thickness of flange
A_2	31 mm	Distance raceway
	CJ11	Housing
	GE55-XL-KTT-B	Bearing designation
V	140 mm	Shoulder diameter housing
Q	Rp1/8	Connection thread lubrication

Mounting dimensions

J	130 mm	Distance fixing bore
N	18 mm	Fixing bore
n	4	Number of screwing holes