



TCJ60-XL-N

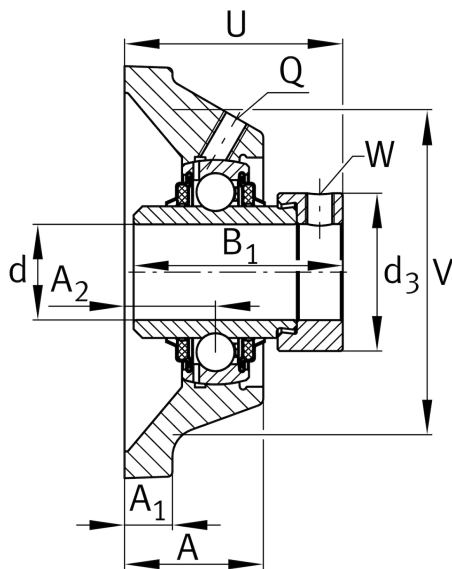
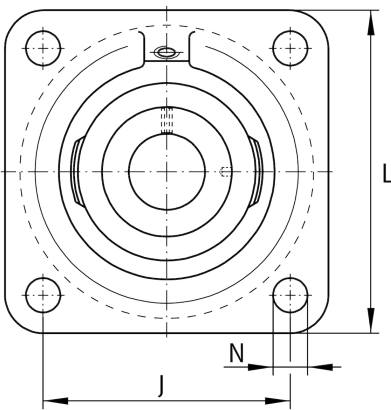
Flanged housing unit

Schaeffler ID:
0009758850000

Housing units TCJ, four-bolt flanged housing units, cast iron, eccentric locking collar, T seals

X-life

Technical information



Main Dimensions & Performance Data

d	60 mm	Bore diameter
L	175 mm	Flange width
U	80,9 mm	Total height unit
C_r	56.000 N	Basic dynamic load rating, radial
C_{0r}	36.000 N	Basic static load rating, radial
C_{ur}	1.870 N	Fatigue load limit, radial
	4,25 kg	Weight

Dimensions

A	47,5 mm	Height housing
	1	Number of housings
A_1	16 mm	Thickness of flange
A_2	34 mm	Distance raceway
	CJ12	Housing
	GE60-XL-KTT-B	Bearing designation
	KASK12	Protecting cap
V	150 mm	Shoulder diameter housing
Q	Rp1/8	Connection thread lubrication

Mounting dimensions

J	143 mm	Distance fixing bore
N	18 mm	Fixing bore
n	4	Number of screwing holes