



TCJT20-XL-N

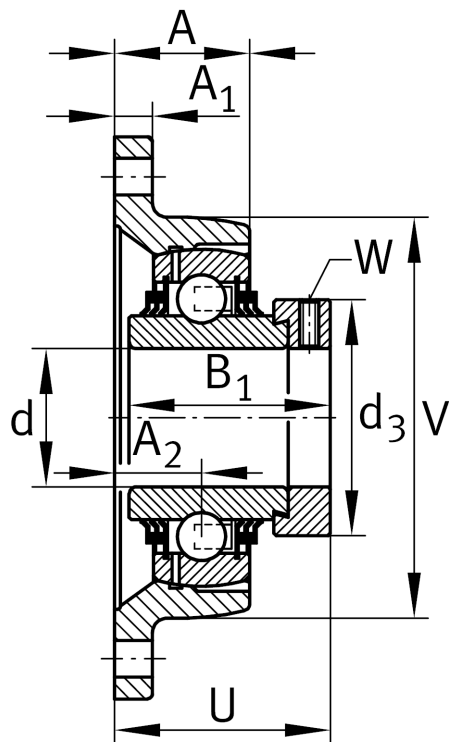
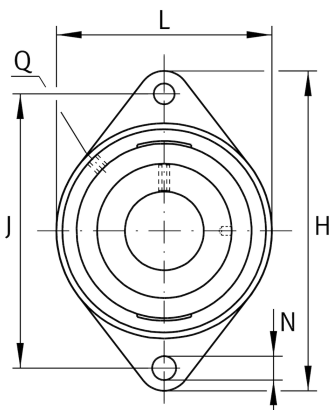
Flanged housing unit

Schaeffler ID:
0009760240000

Housing units TCJT, two-bolt flanged housing units, cast iron, eccentric locking collar, T seals

X-life

Technical information



Main Dimensions & Performance Data

d	20 mm	Bore diameter
L	61 mm	Flange width
H	112 mm	Height flange
U	45,6 mm	Total height unit
C_r	13.600 N	Basic dynamic load rating, radial
C_{0r}	6.600 N	Basic static load rating, radial
C_{ur}	345 N	Fatigue load limit, radial
	0,48 kg	Weight

Dimensions

A	28 mm	Height housing
1		Number of housings
A_1	10 mm	Thickness of flange
A_2	19 mm	Distance raceway
	CJT04	Housing
	GE20-XL-KTT-B	Bearing designation
	KASK04	Protecting cap
V	61 mm	Shoulder diameter housing
Q	M6	Connection thread lubrication

Mounting dimensions

J	90 mm	Distance fixing bore
N	11.5 mm	Fixing bore
n	2	Number of screwing holes