



## TCJT25-XL-N

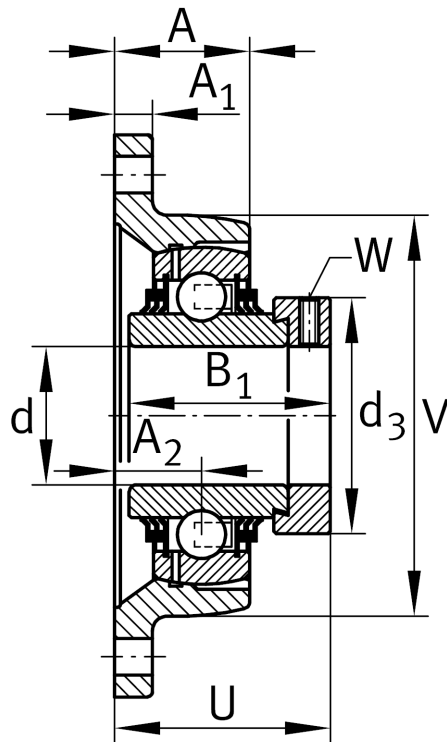
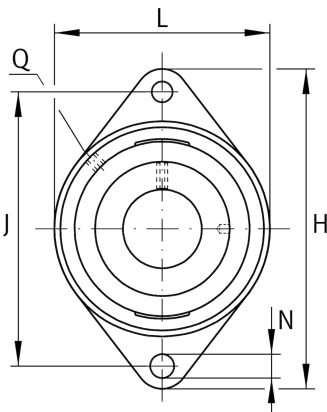
### Flanged housing unit

Schaeffler ID:  
0008569080000

Housing units TCJT, two-bolt flanged housing units, cast iron, eccentric locking collar, T seals

X-life

### Technical information



### Main Dimensions & Performance Data

d	25 mm	Bore diameter
L	70 mm	Flange width
H	124 mm	Height flange
U	46 mm	Total height unit
$C_r$	14.000 N	Basic dynamic load rating, radial
$C_{0r}$	7.800 N	Basic static load rating, radial
$C_{ur}$	410 N	Fatigue load limit, radial
	0,64 kg	Weight

### Dimensions

A	26,5 mm	Height housing
1		Number of housings
$A_1$	11 mm	Thickness of flange
$A_2$	19 mm	Distance raceway
	CJT05	Housing
	GE25-XL-KTT-B	Bearing designation
	KASK05	Protecting cap
V	70 mm	Shoulder diameter housing
Q	M6	Connection thread lubrication

### Mounting dimensions

J	99 mm	Distance fixing bore
N	11.5 mm	Fixing bore
n	2	Number of screwing holes