



TCJT30-XL-N

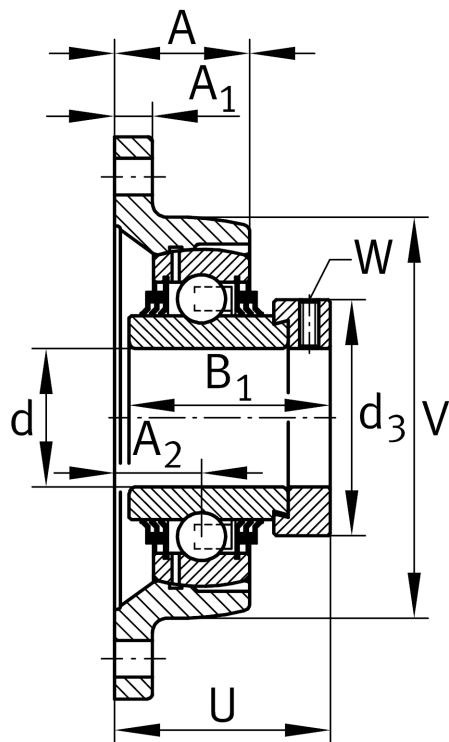
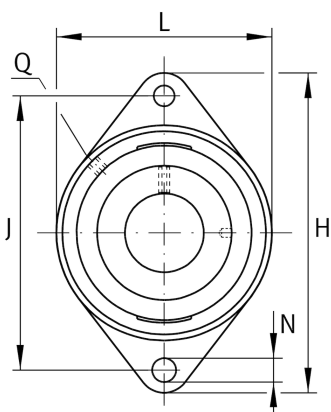
Flanged housing unit

Schaeffler ID:
0008569160000

Housing units TCJT, two-bolt flanged housing units, cast iron, eccentric locking collar, T seals

X-life

Technical information



Main Dimensions & Performance Data

d	30 mm	Bore diameter
L	80 mm	Flange width
H	142 mm	Height flange
U	50,2 mm	Total height unit
C_r	20.700 N	Basic dynamic load rating, radial
C_{0r}	11.300 N	Basic static load rating, radial
C_{ur}	590 N	Fatigue load limit, radial
	0,9 kg	Weight

Dimensions

A	29 mm	Height housing
1		Number of housings
A_1	12 mm	Thickness of flange
A_2	20 mm	Distance raceway
	CJT06	Housing
	GE30-XL-KTT-B	Bearing designation
	KASK06	Protecting cap
V	80 mm	Shoulder diameter housing
Q	M6	Connection thread lubrication

Mounting dimensions

J	116,5 mm	Distance fixing bore
N	11.5 mm	Fixing bore
n	2	Number of screwing holes