



TCJT50-XL-N

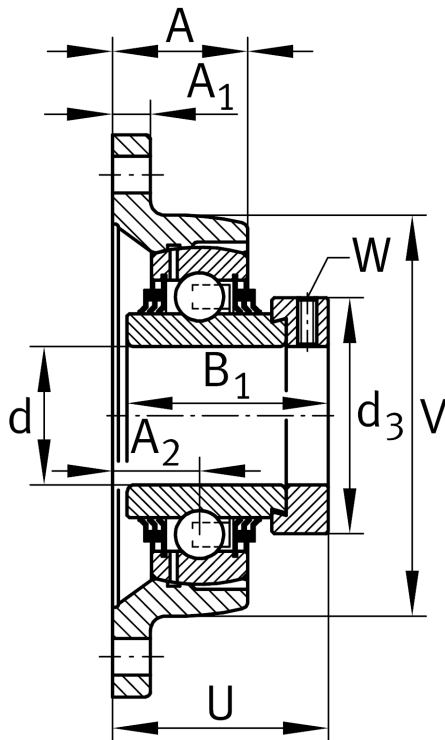
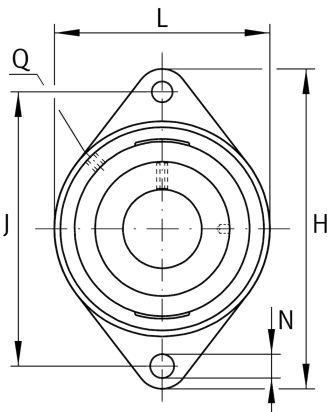
Flanged housing unit

Schaeffler ID:
0009490000000

Housing units TCJT, two-bolt flanged housing units, cast iron, eccentric locking collar, T seals

X-life

Technical information



Main Dimensions & Performance Data

d	50 mm	Bore diameter
L	116 mm	Flange width
H	190 mm	Height flange
U	66,2 mm	Total height unit
C_r	37.500 N	Basic dynamic load rating, radial
C_{0r}	23.200 N	Basic static load rating, radial
C_{ur}	1.210 N	Fatigue load limit, radial
	2,25 kg	Weight

Dimensions

A	39 mm	Height housing
1		Number of housings
A_1	13 mm	Thickness of flange
A_2	28 mm	Distance raceway
	CJT10	Housing
	GE50-XL-KTT-B	Bearing designation
	KASK10	Protecting cap
V	116 mm	Shoulder diameter housing
Q	Rp1/8	Connection thread lubrication

Mounting dimensions

J	157 mm	Distance fixing bore
N	18 mm	Fixing bore
n	2	Number of screwing holes