



TCJT55-XL

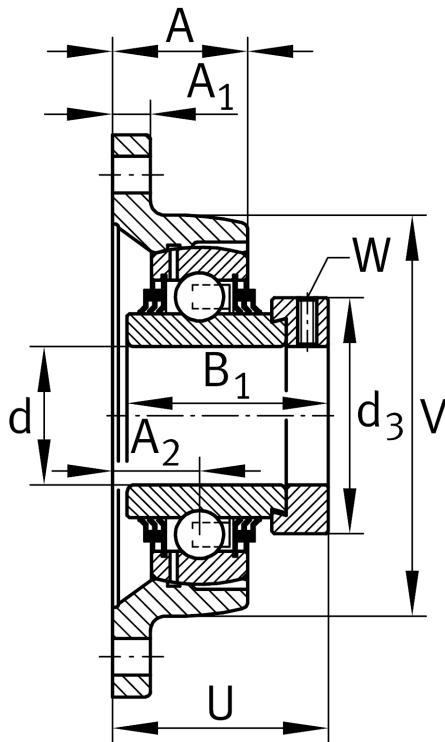
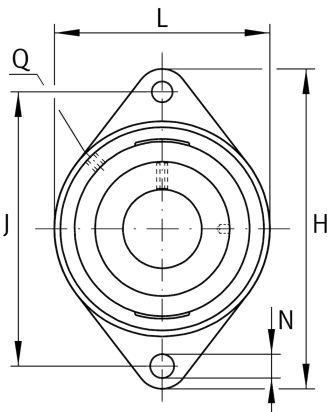
Flanged housing unit

Schaeffler ID:
0009543300000

Housing units TCJT, two-bolt flanged housing units, cast iron, eccentric locking collar, T seals

X-life

Technical information



Main Dimensions & Performance Data

d	55 mm	Bore diameter
L	134 mm	Flange width
H	222 mm	Height flange
U	74,6 mm	Total height unit
C _r	46.000 N	Basic dynamic load rating, radial
C _{0r}	29.000 N	Basic static load rating, radial
C _{ur}	1.520 N	Fatigue load limit, radial
	3,14 kg	Weight

Dimensions

A	43,5 mm	Height housing
1		Number of housings
A ₁	15 mm	Thickness of flange
A ₂	31 mm	Distance raceway
	CJT11	Housing
	GE55-XL-KTT-B	Bearing designation
V	134 mm	Shoulder diameter housing
Q	M6	Connection thread lubrication

Mounting dimensions

J	184 mm	Distance fixing bore
N	18 mm	Fixing bore
n	2	Number of screwing holes