



TFE40-XL

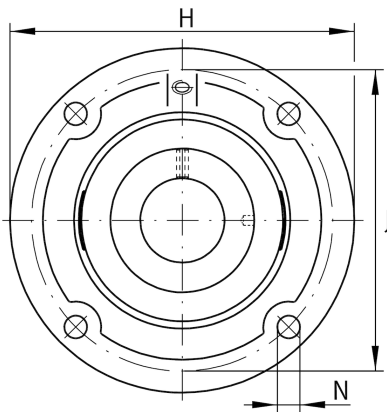
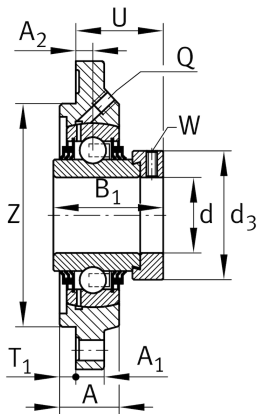
Flanged housing unit

Schaeffler ID:
0008569830000

Housing units TFE, four-bolt flanged housing units, cast iron, centring spigot, eccentric locking collar, T seals

X-life

Technical information



Main Dimensions & Performance Data

d	40 mm	Bore diameter
H	145 mm	Height flange
U	46,4 mm	Total height unit
C_r	34.500 N	Basic dynamic load rating, radial
C_{0r}	19.800 N	Basic static load rating, radial
C_{ur}	840 N	Fatigue load limit, radial
	1,71 kg	Weight

Dimensions

A	26 mm	Height housing
	1	Number of housings
A_1	11,5 mm	Thickness of flange
A_2	11,5 mm	Distance raceway
	FE08	Housing
	GE40-XL-KTT-B	Bearing designation
B_1	56,5 mm	Locking collar total width
Q	Rp1/8	Connection thread lubrication

Mounting dimensions

J	120 mm	Pitch circle diameter (holes)
N	11.5 mm	Fixing bore
T_1	4 mm	Height spigot
Z	100 mm	Diameter spigot
	h8	Diameter spigot clearance
n	4	Number of screwing holes