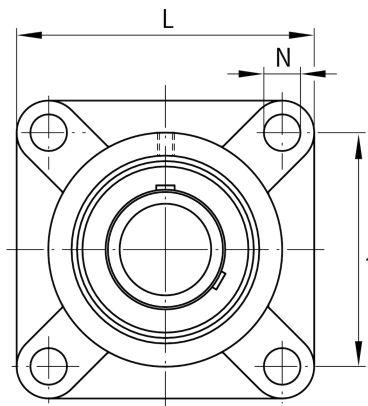
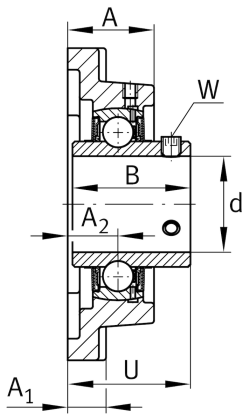
**FAG****UCF211**

Flanged housing unit

Schaeffler ID:  
0808222150000

Flanged housing unit UCF

## Technical information

**Main Dimensions & Performance Data**

d	55 mm	Bore diameter
L	163 mm	Flange width
U	58,4 mm	Total height unit
C <sub>r</sub>	43.500 N	Basic dynamic load rating, radial
C <sub>0r</sub>	29.000 N	Basic static load rating, radial
C <sub>ur</sub>	1.240 N	Fatigue load limit, radial
	3,431 kg	Weight

**Dimensions**

A	43 mm	Height housing
	1	Number of housings
A <sub>1</sub>	20 mm	Thickness of flange
A <sub>2</sub>	25 mm	Distance raceway
	F211	Housing
	UC211	Bearing designation
B	55,6 mm	Width
Q	M6	Connection thread lubrication

**Mounting dimensions**

J	130 mm	Distance fixing bore
N	19 mm	Fixing bore
N <sub>1</sub>	130 mm	Distance fixing bore
n	4	Number of screwing holes