

FAG

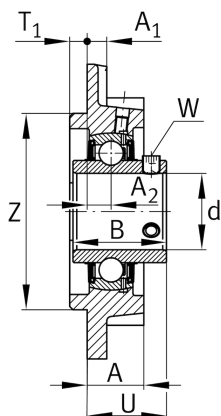
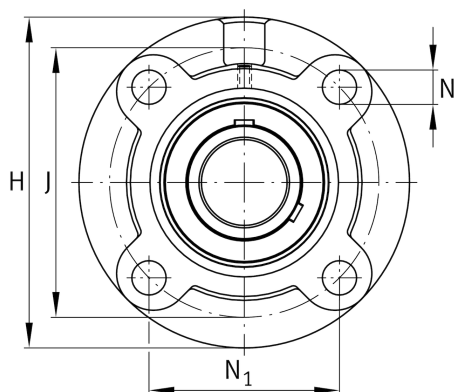
UCFC205

Flanged housing unit

Schaeffler ID:
0821715560000

Flanged housing unit UCFC

Technical information

**Main Dimensions & Performance Data**

d	25 mm	Bore diameter
H	115 mm	Height flange
U	29,8 mm	Total height unit
C_r	14.000 N	Basic dynamic load rating, radial
C_{0r}	7.800 N	Basic static load rating, radial
C_{ur}	335 N	Fatigue load limit, radial
	0,94 kg	Weight

Dimensions

A	21 mm	Height housing
	1	Number of housings
A_1	7 mm	Thickness of flange
A_2	10 mm	Distance raceway
	FC205	Housing
	UC205	Bearing designation
B	34,1 mm	Width
Q	M6	Connection thread lubrication

Mounting dimensions

J	90 mm	Distance fixing bore
J	90 mm	Pitch circle diameter (holes)
N	12 mm	Fixing bore
N_1	63,6 mm	Distance fixing bore
T_1	6 mm	Height spigot
Z	70 mm	Diameter spigot
	h8	Diameter spigot clearance
n	4	Number of screwing holes