



FAG

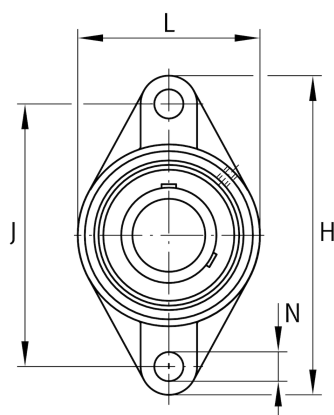
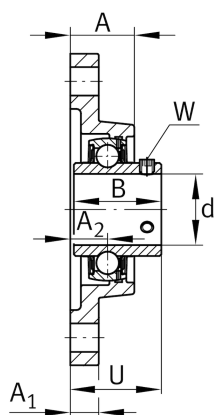
UCFL211

Flanged housing unit

Schaeffler ID:
0811469300000

Flanged housing unit UCFL

Technical information

**Main Dimensions & Performance Data**

| | | |
|-----------------|----------|-----------------------------------|
| d | 55 mm | Bore diameter |
| L | 130 mm | Flange width |
| H | 224 mm | Height flange |
| U | 58,4 mm | Total height unit |
| C _r | 43.500 N | Basic dynamic load rating, radial |
| C _{0r} | 29.000 N | Basic static load rating, radial |
| C _{ur} | 1.240 N | Fatigue load limit, radial |
| | 2,87 kg | Weight |

Dimensions

| | | |
|----------------|---------|-------------------------------|
| A | 43 mm | Height housing |
| | 1 | Number of housings |
| A ₁ | 20 mm | Thickness of flange |
| A ₂ | 25 mm | Distance raceway |
| | FL211 | Housing |
| | UC211 | Bearing designation |
| B | 55,6 mm | Width |
| Q | M6 | Connection thread lubrication |

Mounting dimensions

| | | |
|----------------|----------|-------------------------------|
| J | 184 mm | Distance fixing bore |
| J | 150 mm | Pitch circle diameter (holes) |
| N | 19 mm | Fixing bore |
| N ₁ | 106,1 mm | Distance fixing bore |
| n | 2 | Number of screwing holes |