



PSHEY40-XL-N

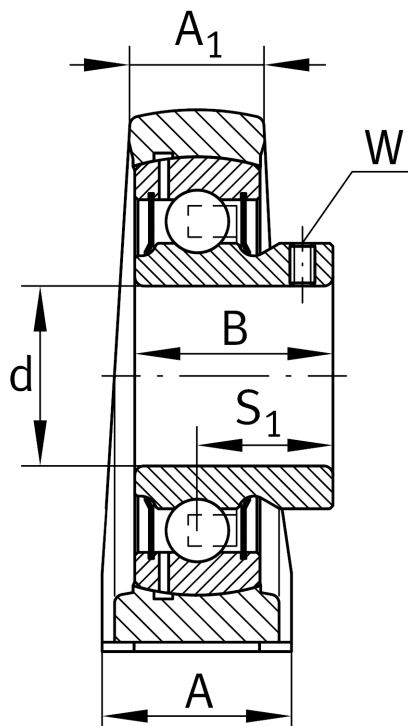
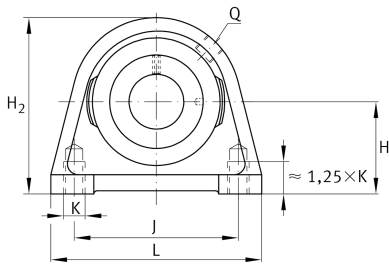
Plummer block housing unit

Schaeffler ID:
0947164470000

Plummer block housing units PSHEY, cast iron housing, radial insert ball bearing with grub screws in inner ring, P seals

X-life

Technical information



Main Dimensions & Performance Data

d	40 mm	Bore diameter
L	116 mm	Length total
H_2	99 mm	Height
	1,45 kg	Weight

Dimensions

H	49,2 mm	Distance shaft axis
	SHE08	Housing
	GAY40-XL-NPP-B	Bearing designation
A	48 mm	Width (base)
	KASK08	Protecting cap
A_1	30 mm	Width (head)
Q	M6	Connection thread lubrication
B	39,5 mm	Width of inner ring
S_1	29 mm	Distance of raceway to locking collar

Mounting dimensions

J	88,9 mm	Distance fixing bore
K	M12	Thread fixing bore