

PSHEY45-XL

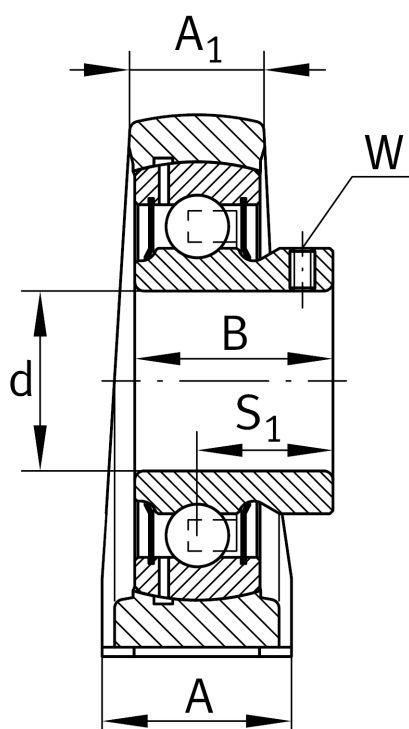
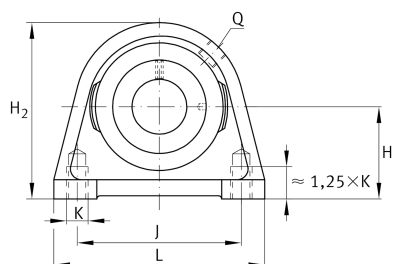
Plummer block housing unit

Schaeffler ID:
0009490430000

Plummer block housing units PSHEY, cast iron housing, radial insert ball bearing with grub screws in inner ring, P seals

X-life

Technical information



Main Dimensions & Performance Data

d	45 mm	Bore diameter
L	120 mm	Length total
H ₂	107 mm	Height
	1,9 kg	Weight

Dimensions

H	54 mm	Distance shaft axis
	SHE09	Housing
	GAY45-XL-NPP-B	Bearing designation
A	48 mm	Width (base)
A ₁	32 mm	Width (head)
Q	M6	Connection thread lubrication

Mounting dimensions

J	95,3 mm	Distance fixing bore
K	M12	Thread fixing bore