

RASE45-XL-FA125

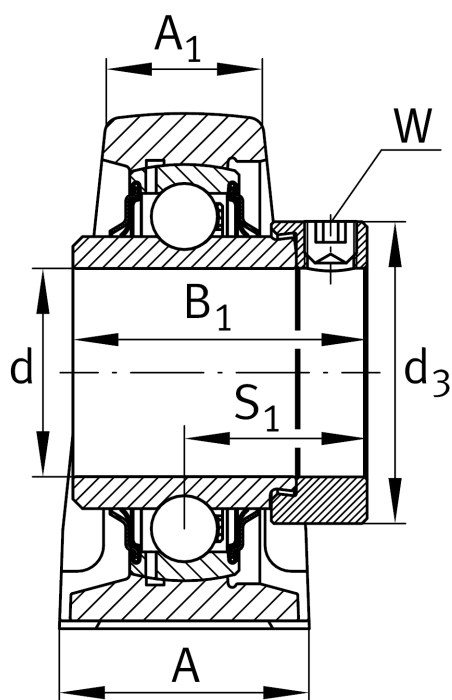
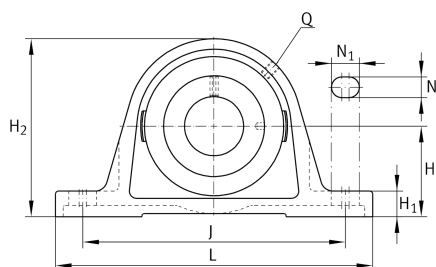
Plummer block housing unit

Schaeffler ID:
0035073940000

Plummer block housing units RASE...-FA125, cast iron housing, radial insert ball bearing with eccentric locking collar, R seals, with anti-corrosion protection

X-life

Technical information



Main Dimensions & Performance Data

d	45 mm	Bore diameter
L	192 mm	Length total
H ₂	107 mm	Height
	2,25 kg	Weight

Dimensions

H	54 mm	Distance shaft axis
	ASE09	Housing
	GE45-XL-KRR-B-	Bearing designation
	FA125	
A	48 mm	Width (base)
A ₁	32 mm	Width (head)
H ₁	21,5 mm	Height (base)
B ₁	56,5 mm	Locking collar total width
S ₁	35,1 mm	Distance of raceway to locking collar
Q	M6	Connection thread lubrication

Mounting dimensions

J	149,65 mm	Distance fixing bore
N	14 mm	Width (slot)
N ₁	29 mm	Length (slot)