

RSHEY55-XL

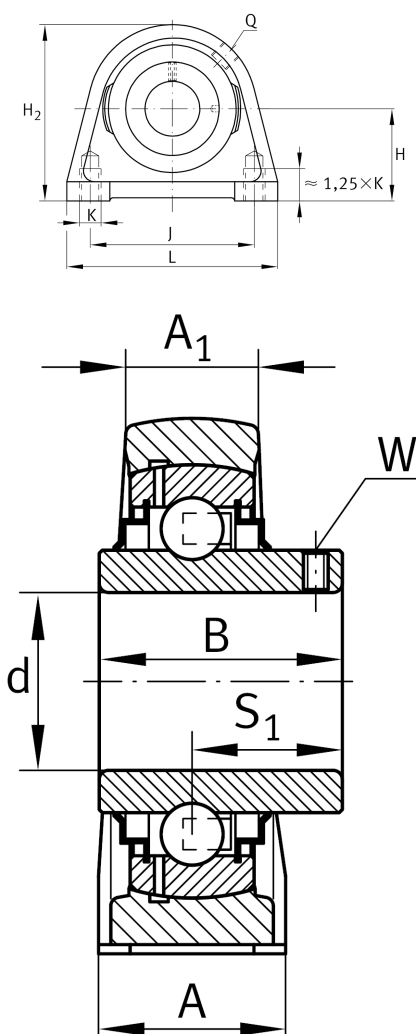
Plummer block housing unit

Schaeffler ID:
0009491670000

Plummer block housing units RSHEY, cast iron housing, radial insert ball bearing with grub screws in inner ring, R seals

X-life

Technical information



Main Dimensions & Performance Data

d	55 mm	Bore diameter
L	150 mm	Length total
H ₂	125 mm	Height
	3,5 kg	Weight

Dimensions

H	64 mm	Distance shaft axis
	SHE11	Housing
	GYE55-XL-KRR-B	Bearing designation
A	60 mm	Width (base)
A ₁	35 mm	Width (head)
Q	M6	Connection thread lubrication

Mounting dimensions

J	118 mm	Distance fixing bore
K	M16	Thread fixing bore